



SNOW BRACKET™ LEGENDARY - APEX

DESCRIPTION

- Designed for use with Bartile® Legendary tile
- No fasteners required
- Can be powder coated to match roofing material color
- Overall dimensions: 14-3/16”L X 1-3/16”W X 3-1/16” H

MATERIALS

- Paintlok Steel: 16 ga
- Copper: 48 oz (ASTM B152)
- Stainless Steel: 16 ga (ASTM A240)

COLORS/FINISHES

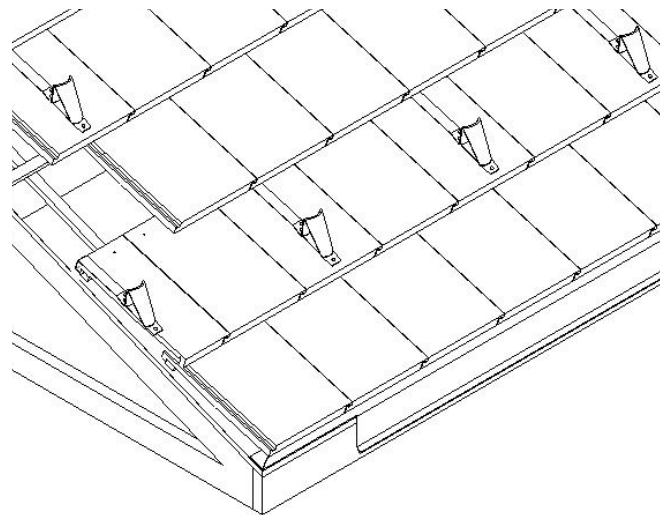
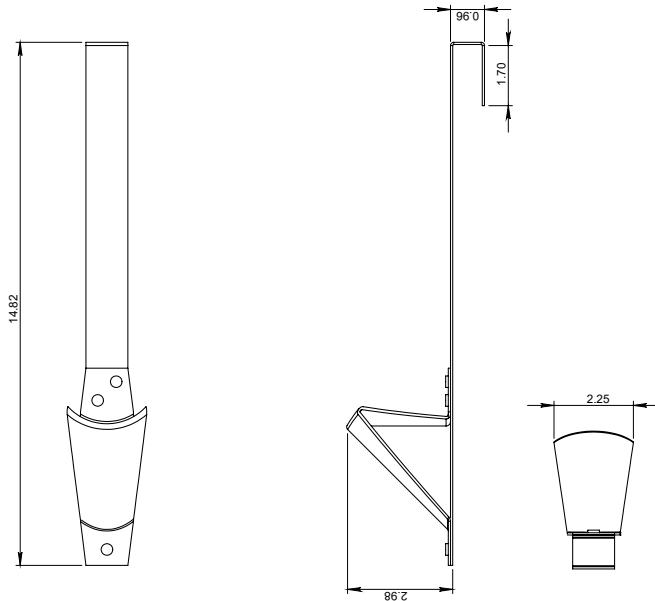
- Zinc Plated
- Powder coating available in many colors visit <http://trasnowandsun.com/color-chart/> to see color chart

NOTE: Due to specific job conditions, TRA Snow and Sun will only warranty a snow retention system/layout that has been designed by TRA Snow and Sun.



FOR NEW CONSTRUCTION

USED ON: BARTILE® LEGENDARY TILE



Bracket hooks to upper end of roof tile and counter batten. Bracket is installed with triangular end of bracket at butt end of roof tile and upper end under the course above.

INSTALLATION
DO NOT SCALE

SNOW RETENTION SYSTEMS

DIMENSIONS *Dimensions shown are in inches.
DO NOT SCALE