



RIDGE RISER®

DESCRIPTION

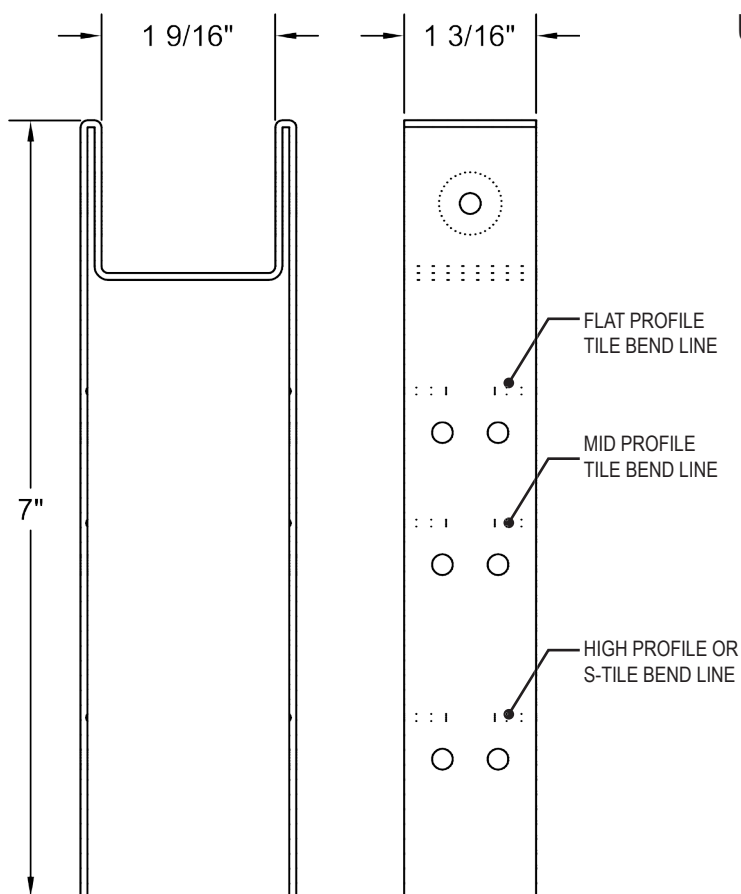
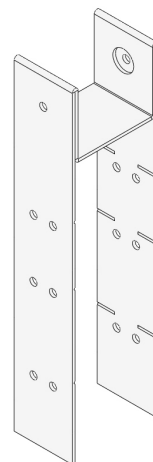
- Designed for concrete or clay tile roofs
- Pre-scored bend lines for adjustable height and slope
- Accepts 2" X 2" nominal nailer board
- Overall dimensions: 1-3/16"L X 1-15/16" W X 7" H

MATERIALS

- Galvanized Steel: 16 ga.
- Stainless Steel: 16 ga.

COLORS/FINISHES

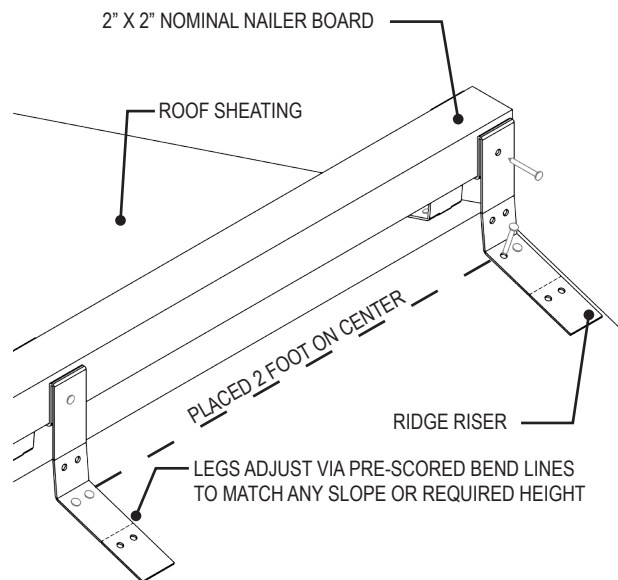
- Galvanized Steel
- Stainless Steel



*DIMENSIONS SHOWN ARE IN INCHES

DIMENSIONS
DO NOT SCALE

USED ON: CONCRETE & CLAY TILE ROOFS



INSTALLATION:
RIDGE RISERS ARE PLACED 2 FOOT ON CENTER WITH 6 OR MORE ROOFING NAILS OR SCREWS DIRECTLY INTO PREFERRED TRUSS OR SHEATHING (DEPENDING ON PROFILE USED). SCREWS ARE TO BE USED IF ATTACHING TO SHEATHING ONLY.

INSTALLATION
DO NOT SCALE

VENTILATION AND FLASHING SYSTEMS