



## SNOW BRACKET™ D - CLASSIC

### DESCRIPTION

- Designed for new construction asphalt shingles
- Can be used with most asphalt shingle makes or models
- Installed as shingles are installed
- Bracket fastens to roof sheathing
- Superior strength
- Can be powder coated to match roofing material color
- Overall dimensions: 1-3/16"W X 3"H X 10"L

### MATERIALS

- Paintlok Steel: 16 ga
- Copper: 48 oz (ASTM B152)
- Stainless Steel: 16 ga (ASTM A240)

### COLORS/FINISHES

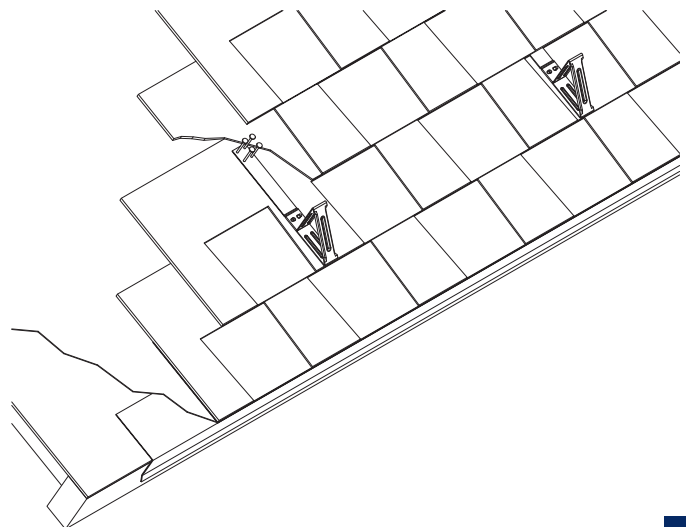
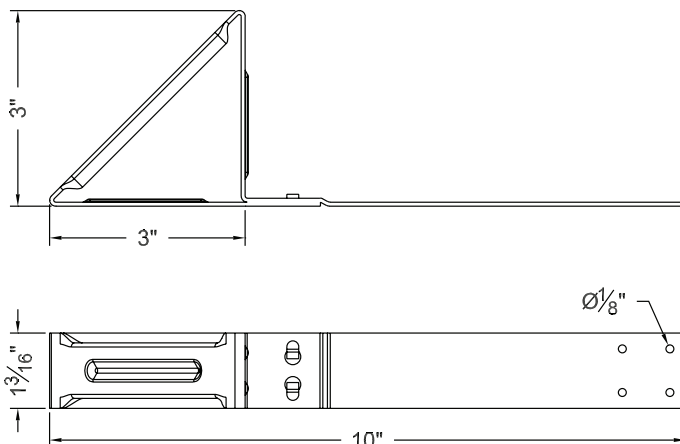
- Zinc Plated
- Powder coating available in many colors visit <http://trasnowandsun.com/color-chart/> to see color chart

**NOTE:** Due to specific job conditions, TRA Snow and Sun will only warranty a snow retention system/layout that has been designed by TRA Snow and Sun.



**FOR NEW CONSTRUCTION**

**USED ON: ASPHALT SHINGLES**



Bracket to be installed using (4) #8 stainless steel screws or roofing nails fastened through roofing material and sheathing below. Fasteners should be hidden under roofing material course above.

**INSTALLATION**  
DO NOT SCALE

**SNOW RETENTION SYSTEMS**

**DIMENSIONS** \*Dimensions shown are in inches.  
DO NOT SCALE