



SNOW BRACKET™ BRAVA - APEX

DESCRIPTION

- Designed for use with Brava's Spanish Tile
- #8 screw fasteners required
- Must be installed into structural roof member such as a truss or rafter beam
- All roof penetrations that go through the underlayment are required to be flashed or sealed
- Can be powder coated to match roofing material color
- Overall dimensions: 20 5/8" L X 2 1/4" W X 3 3/4" H

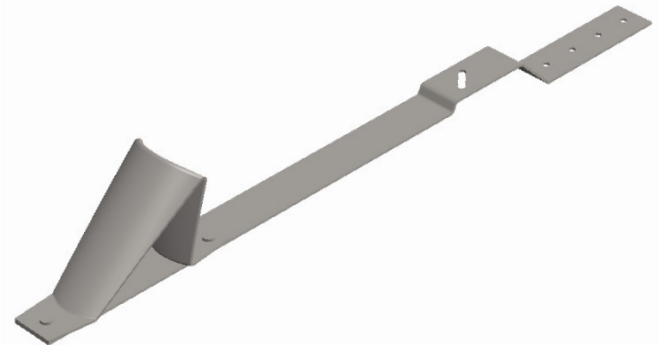
MATERIALS

- Paintlok Steel: 16 ga
- Copper: 48 oz (ASTM B152)
- Stainless Steel: 16 ga (ASTM A240)

COLORS/FINISHES

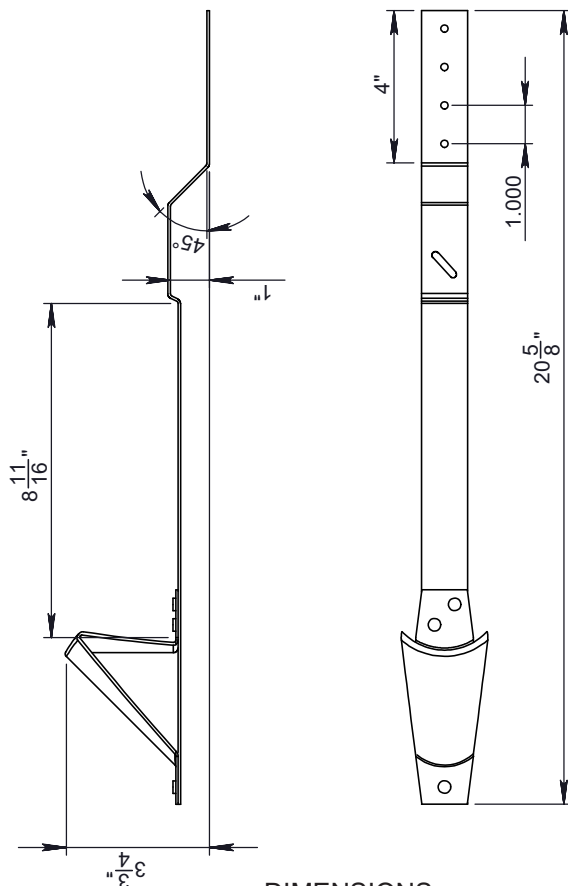
- Zinc Plated
- Powder coating available in many colors visit <http://trasnowandsun.com/color-chart/> to see color chart

NOTE: Due to specific job conditions, TRA Snow and Sun will only warranty a snow retention system/layout that has been designed by TRA Snow and Sun.

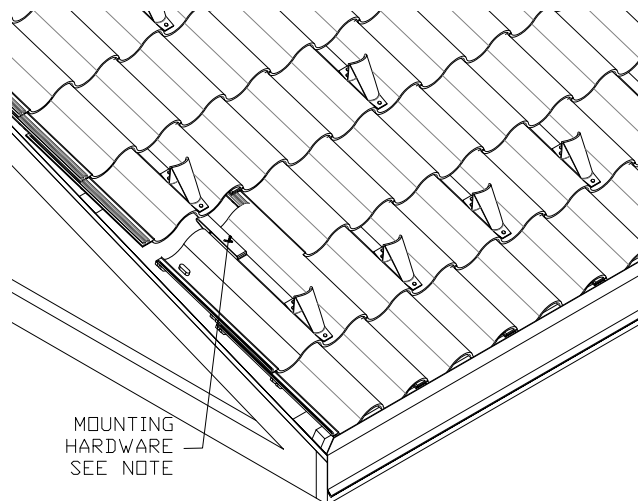


FOR NEW CONSTRUCTION OR RETROFIT

USED ON: BRAVA'S SPANISH TILE



DIMENSIONS *Dimensions shown are in inches.
DO NOT SCALE



INSTALLATION INSTRUCTIONS:

SNOW BRACKET HOOKS TO UPPER END OF ROOF TILE. BRACKET IS INSTALLED WITH TRIANGULAR END OF BRACKET AT LOW END OF ROOF TILE AND UPPER END UNDER THE COURSE ABOVE.

NOTE:

IF BRACKET IS COPPER, THEN STAINLESS STEEL SCREWS MUST BE USED TO MOUNT THE BRACKET; OTHERWISE USE SAME FASTENERS ON THE BRACKET AS USED ON THE ROOF TILE.

INSTALLATION
DO NOT SCALE

SNOW RETENTION SYSTEMS