



SNOW BRACKET™ A - APEX

DESCRIPTION

- Designed for use with concrete or clay tiles which are installed using horizontal battens
- No fasteners required
- Can be powder coated to match roofing material color
- Overall dimensions: 16 1/4" L X 2 1/4" W X 3 3/4" H

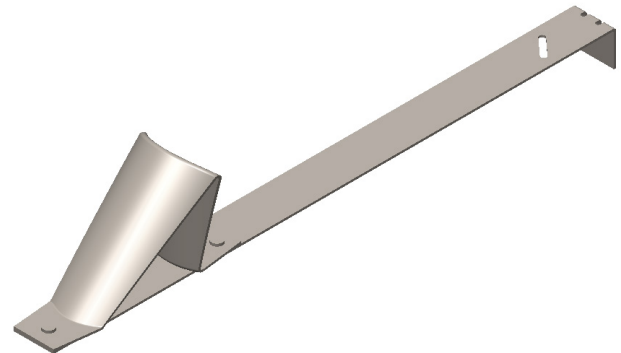
MATERIALS

- Paintlok Steel: 16 ga
- Copper: 48 oz (ASTM B152)
- Stainless Steel: 16 ga (ASTM A240)

COLORS/FINISHES

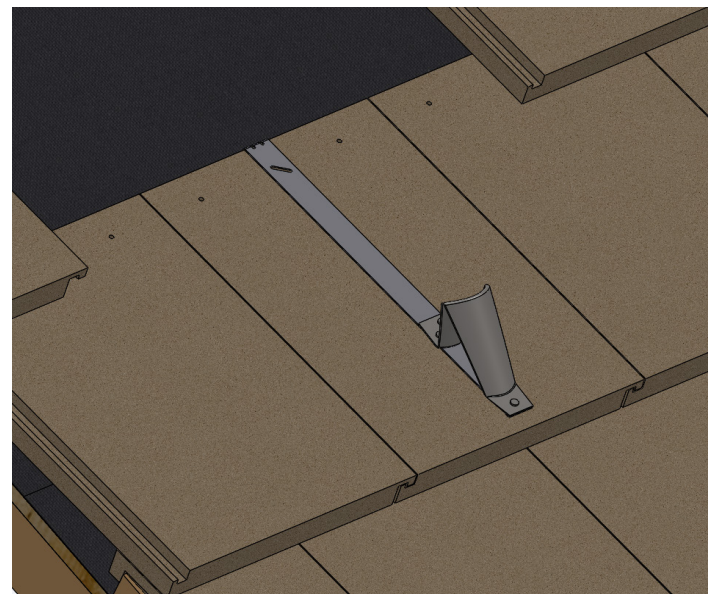
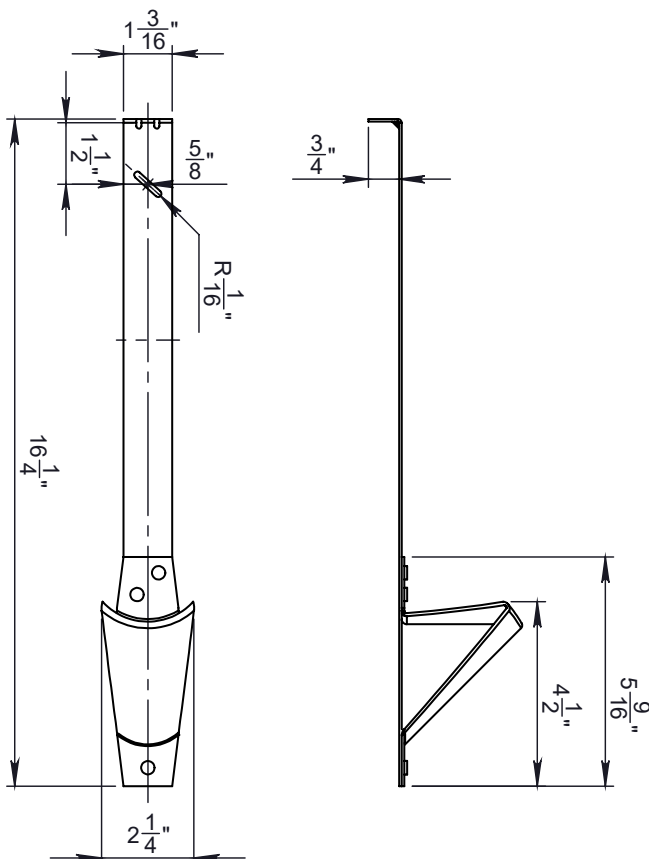
- Zinc Plated
- Powder coating available in many colors visit <http://trasnowandsun.com/color-chart/> to see color chart

NOTE: Due to specific job conditions, TRA Snow and Sun will only warranty a snow retention system/layout that has been designed by TRA Snow and Sun.



FOR NEW CONSTRUCTION OR RETROFIT

**USED ON: EAGLE, BORAL,
HANSON AND OTHER SIMILAR TILES**



INSTALLATION:
SNOW BRACKET IS INSTALLED ON THE TOP SURFACE OF THE TILE WITH THE TRIANGULAR END OF THE BRACKET OVER THE HEADLAP OF THE TILE.

INSTALLATION
DO NOT SCALE

SNOW RETENTION SYSTEMS

DIMENSIONS *Dimensions shown are in inches.
DO NOT SCALE