



T-1 TILE DECK MOUNT

DESCRIPTION

- For use on most tile roof types
- Designed for most stick framed roof types
- Accepts 1" (1.315"OD) fence pipe
- Installed using (4) 3/8" Lag bolts
- Must be installed into structural roof member such as a truss or rafter beam
- All roof penetrations that go through the underlayment are required to be flashed or sealed
- Ice Flags as option
- Powder coated to match roofing material color
- Overall dimensions: 24 1/4" L X 2 5/16" W X 12" H

MATERIALS

- Steel: 1/4" (ASTM A1011 & ASTM A880)

COLORS/FINISHES

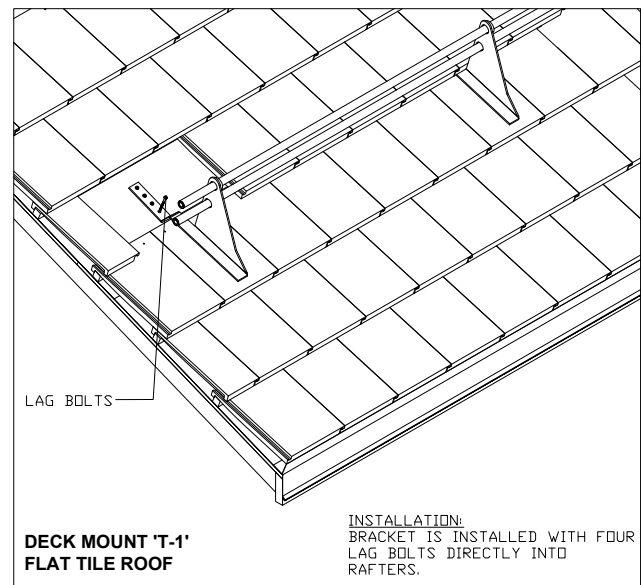
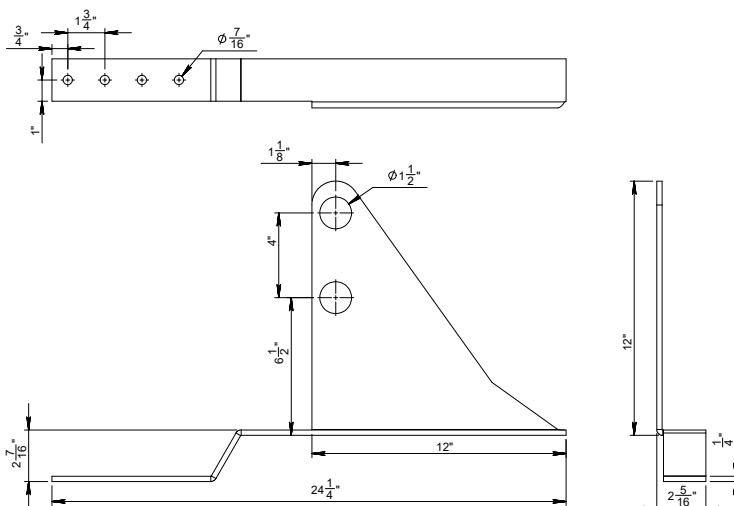
- Zinc plated steel
- Powder coating available in many colors visit <http://trasnowandsun.com/color-chart/> to see color chart

NOTE: Due to specific job conditions, TRA Snow and Sun will only warranty a snow retention system/layout that has been designed by TRA Snow and Sun.



2 PIPE SNOW FENCE SYSTEM

USED ON: TILE ROOFS



* ALL ROOF PENETRATIONS THAT GO THROUGH THE UNDERLAYMENT ARE REQUIRED TO BE FLASHED OR SEALED.

INSTALLATION DO NOT SCALE

SNOW RETENTION SYSTEMS

DIMENSIONS *Dimensions shown are in inches.
DO NOT SCALE