



## T-1 DECK MOUNT

### DESCRIPTION

- For use on most tile roof types
- Designed for most stick framed roof types
- Accepts 1" (1.315"OD) fence pipe
- Installed using (4) 3/8" Lag bolts
- Must be installed into structural roof member such as a truss or rafter beam
- Ice Flags as option
- Powder coated to match roofing material color
- Overall dimensions: 24 1/4" L X 2 5/16" W X 12" H

### MATERIALS

- Steel :: 1/4" (ASTM A1011 & ASTM A880)
- Aluminum :: 1/4" (ASTM B209)

### COLORS/FINISHES

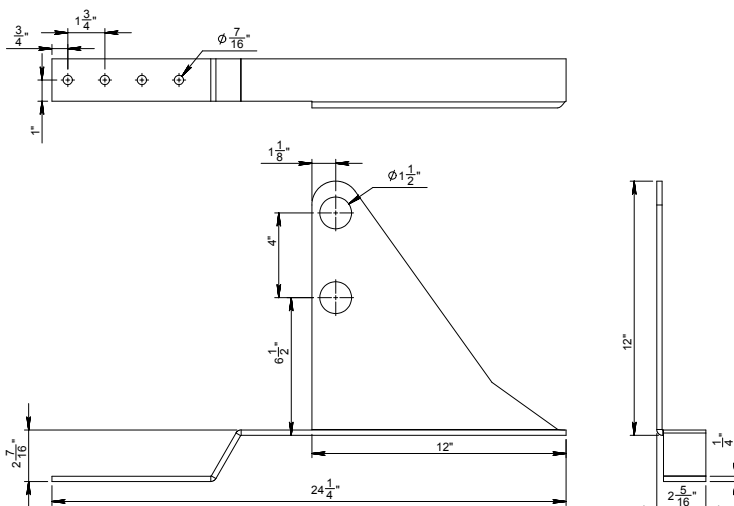
- Zinc plated steel
- Mill finish Aluminum
- Powder coating available in many colors visit <http://trasnowandsun.com/color-chart/> to see color chart

**NOTE:** Due to specific job conditions, TRA Snow and Sun will only warranty a snow retention system/layout that has been designed by TRA Snow and Sun.



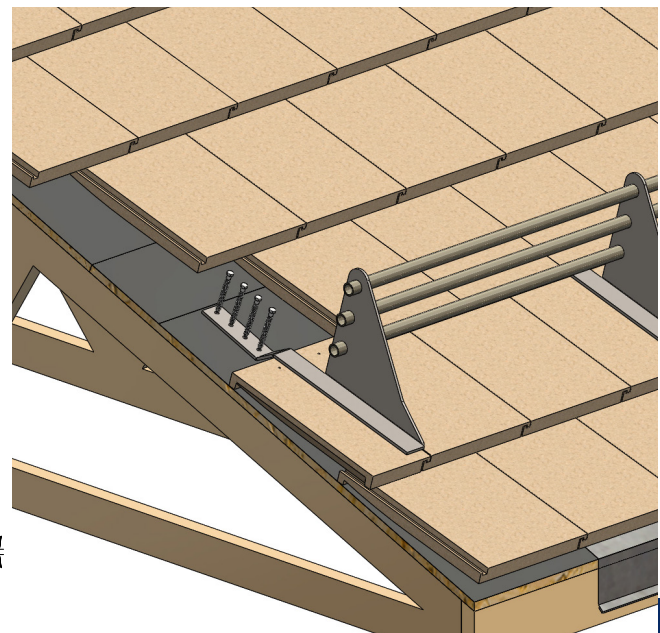
## 2 PIPE SNOW FENCE SYSTEM

### USED ON: TILE ROOFS



### DIMENSIONS

DO NOT SCALE



### INSTALLATION

DO NOT SCALE

## SNOW RETENTION SYSTEMS

\*Dimensions shown are in inches.