

ICC#: ESR-1787
TileVent | Copper Tape

METAL

- Highly durable and weather resistant
- Maximum formability and long term functionality
- Fully recyclable

ICC# ESR-1787

- Passed Dade County wind driven rain test (PA100(A)-95)
- Passed ICC dust test (AC132)

NET FREE AIRFLOW

- 9 in² per running foot (9"width)
- 10.3 in² per running foot (9.5", 11", 13", 15.75" width)

SOLID COPPER

- Prevents moss and organic build-up on roof surface

CONTINUOUS CORRUGATION

- Stretching factor of 30%
- Conforms to roof surface
- Suitable for hip and ridge application
- Easy installation
- No tools necessary

PERFORATED

- Continuous air exhaust
- Reliable weather block
- Exceeds DIN 4108/3

BUTYL ADHESIVE SHEETS

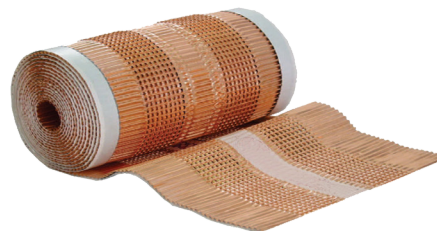
- Additional security against driving rain and snow

TECHNICAL INFORMATION

- Body :: Aluminum, corrugated, and colored and copper
- Width :: 9.5", 11", 13", 15.75"
- Length :: 25 ft./per roll
- Standard colors :: copper mill finish

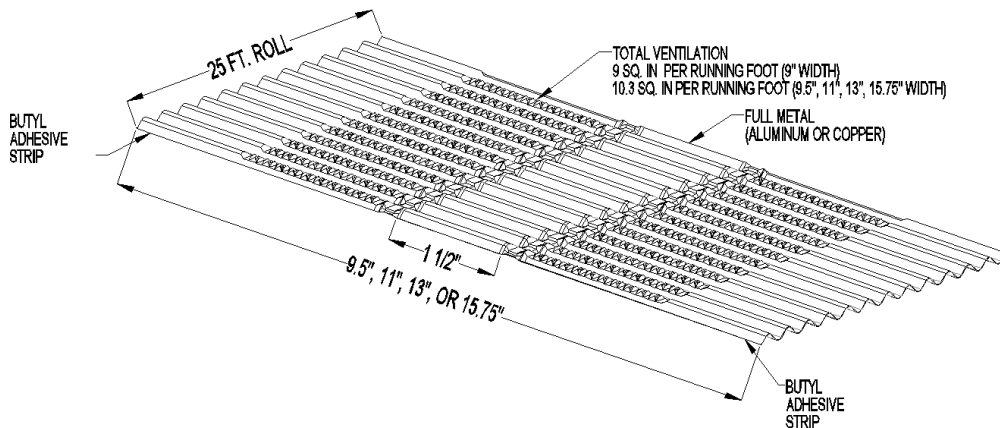
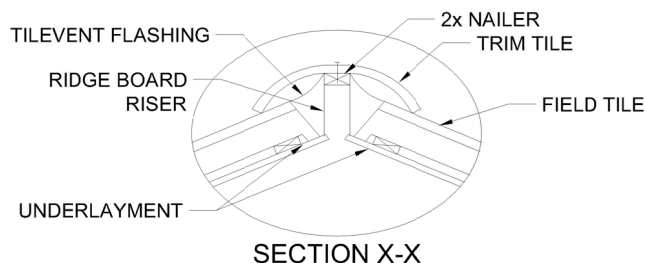
WARRANTY

- 25 year limited warranty



FOR NEW CONSTRUCTION AND RETROFIT

USED ON: TILE ROOFS



VENTILATION AND FLASHING SYSTEMS

ICC#: ESR-1787
TileVent | Copper Tape

COPPER TAPE				
STRUCTURE	Copper tape .003"thick with butyl adhesive strips			
MATERIAL FRONT	Copper 99.9 (semihard)			
MATERIAL CHARACTERISTICS	abbreviation	SF-CU/F20	by DIN 77670	
		99.9% Cu	0.01% - 0.04% Phosphorus	
		Thickness	0.08 mm	
		Tensile strength R_m	200 - 250 N/mm ²	
		0.2% Elongation limit $R_{p0.2}$	max. 100 N/mm ²	
		Elongation at rupture A_5 :	min. 42%	
		A_{10}	min. 36%	
ADHESIVE STRIPS				
STRUCTURE	Extruded strip of very tacky sealant/adhesive based on butyl rubber overed with a release film			
MATERIAL BACK SIDE	Butyl, Polyisobutylene			
MATERIAL CHARACTERISTICS (OUTSIDE)	Specific weight:	1.49 g/ml		
	Temperature resistance:	-50°C - +90°C		
	Plasticity:	70<P>100 acc. NFP 85513 norm		
	Plastic flow:	0 mm at 23° and 0 mm at 70° acc. NFP 85501 norm		
	Drying substance	100%		
	Shearing stress-resisted:	speed 100 mm/min	0.107 Pa	
	Tearing off resistance:	speed 100 mm/min	0.233 Pa	
	Steam permeability:	> 500%		
	Migration of components:	impermeable		
	Compatibility with paints:	no migration, no spotting		
	Resistance:	Water	excellent	
		Sea Water	excellent	
		House detergent	very good	
		Weak acid	good	
		Basen thinly	very good	
Alcohol		moderately		
	Organic solvents	poor		