

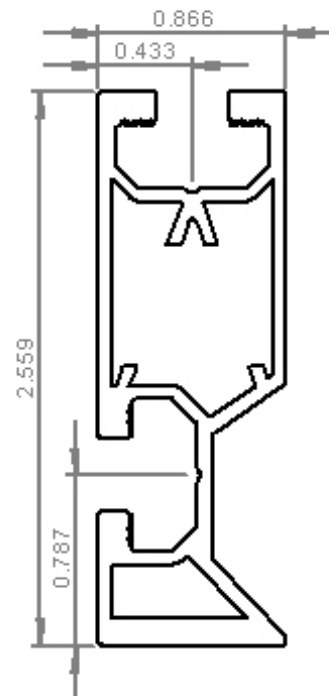
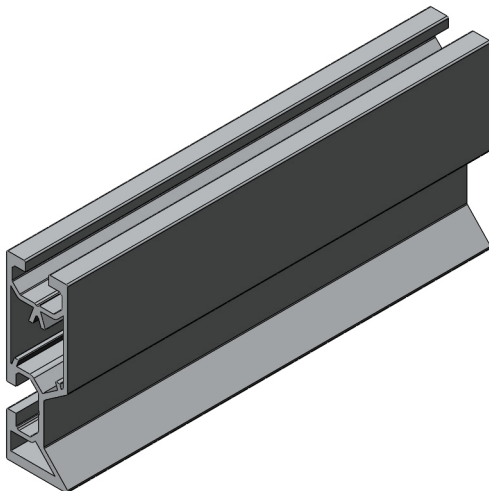


## POWER RAIL

### TECHNICAL SPECIFICATIONS

Part Number	74030801 (varies based on length see chart below)
Material	6005A-T6 Aluminum / 6005A-T5 Aluminum
Finishes	<ul style="list-style-type: none"> <li>• Mill finish</li> <li>• Black Anodized (upon request)</li> </ul>
Rail Spans	<ul style="list-style-type: none"> <li>• Please ask our Sales Department</li> </ul>
Available Lengths	<ul style="list-style-type: none"> <li>• 2'through 20' in 2 ft increments</li> <li>• Standard length: 10'</li> </ul>
Companion Parts	<ul style="list-style-type: none"> <li>• Sliding Block</li> <li>• Cross Connector</li> <li>• Socket Head Cap Screw</li> <li>• End Cap</li> <li>• Rail Connector Fixed and Flexible</li> <li>• All Mid and End Clamps (including glass panel clamps)</li> <li>• All TRA Snow and Sun Flush Mount Types</li> </ul>
Compatible Solar Modules	All major brands
Warranty	25 Years (See warranty documentation for conditions)

NOTE: Dimensions shown are in inches unless otherwise noted



PART #	LENGTH	PART #	LENGTH
74030801	10'	74030802	20'
74030801-08	8'	74030802-18	18'
74030801-06	6'	74030802-16	16'
74030801-04	4'	74030802-14	14'
74030801-02	2'	74030802-12	12'