



SNOW BRACKET™ G

DESCRIPTION

- Available in 3 lengths: 8-1/2", 9-1/2", 11-1/2"
- 8-1/2" Length used for retrofit of slate, wood shake and cedar shingle roofs
- 9-1/2" Length used for retrofit of wood shake and shingle roofs
- 11-1/2" Length used for flat seam metal roofs
- Includes a fastener cover clip
- Can be powder coated to match roofing material color
- Overall dimensions: VAR L X 1-3/16"W X 3" H

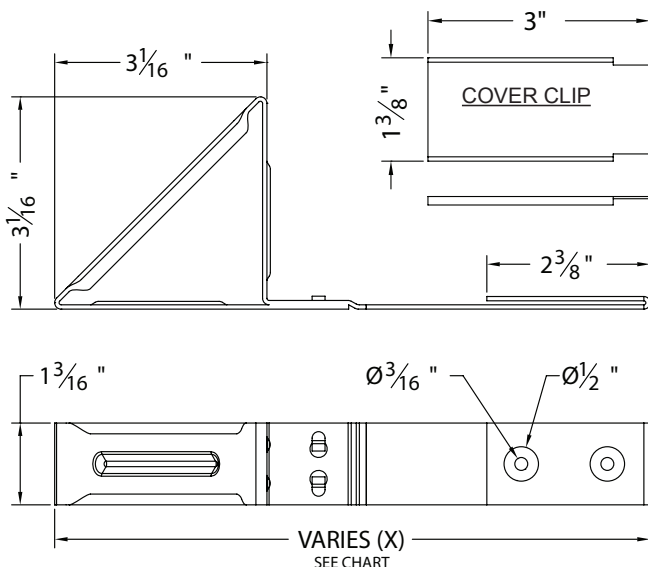
MATERIALS

- Steel :: 16 ga (ASTM A879)
- Copper :: 48 oz (ASTM B152)
- Cor-Ten® :: 16 ga (ASTM A606)
- Stainless Steel :: 16 ga (ASTM A240)
- Aluminum :: .063" (H32 - ASTM B209)

COLORS/FINISHES

- Electro-galvanized steel
- Hot-dipped galvanized steel
- Mill finish Aluminum
- Mill finish Copper
- Mill finish Cor-Ten®
- Powder coating available in many colors visit <http://trasnowandsun.com/color-chart/> to see color chart

NOTE: Due to specific job conditions, TRA Snow and Sun will only warranty a snow retention system/layout that has been designed by TRA Snow and Sun.



DIMENSIONS

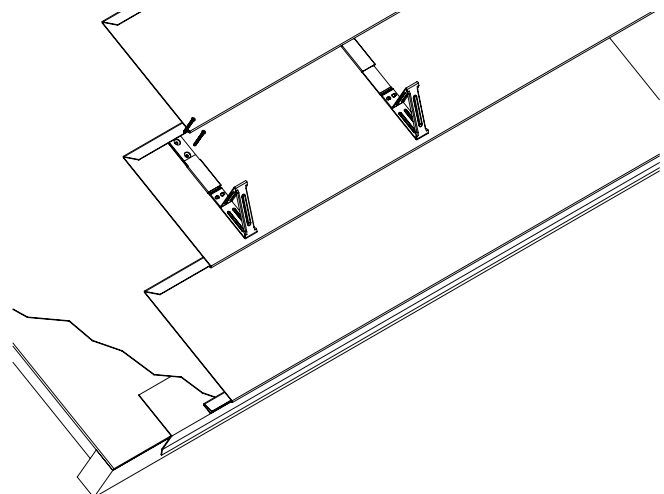
DO NOT SCALE



FOR NEW CONSTRUCTION OR RETROFIT

USED ON: METAL SHINGLES, WOOD SHAKE AND CEDAR SHINGLES

BRACKET	APPLICATION	Length (X)
G-8.5	Slate, Wood Shake, Cedar Shingle <i>retrofit</i>	8 1/2"
G-9.5	Wood Shake <i>retrofit</i>	9 1/2"
G-11.5	Flat Seam Metal <i>new construction & retrofit</i>	11 1/2"



Pre-drill holes through the existing holes in the bracket and into the roofing and sheathing. Apply caulking along the underside of the snow bracket and in the pre-drilled holes for sealant. Then, install (2) roofing screws through the snow bracket into the pre-drilled holes. Last, install cover clip and slide beneath the metal seam.

INSTALLATION

DO NOT SCALE

SNOW RETENTION SYSTEMS

*Dimensions shown are in inches.