



SNOW BRACKET™ B

DESCRIPTION

- Designed for use with concrete tiles 15" in length which are installed using horizontal battens
- No fasteners required
- Can be powder coated to match roofing material color
- Overall dimensions: 16-3/4" L X 1-3/16" W X 4-5/8" H

MATERIALS

- Steel :: 16 ga (ASTM A879)
- Copper :: 48 oz (ASTM B152)
- Stainless Steel :: 16 ga (ASTM A240)
- Aluminum :: .063" (H32 - ASTM B209)

COLORS/FINISHES

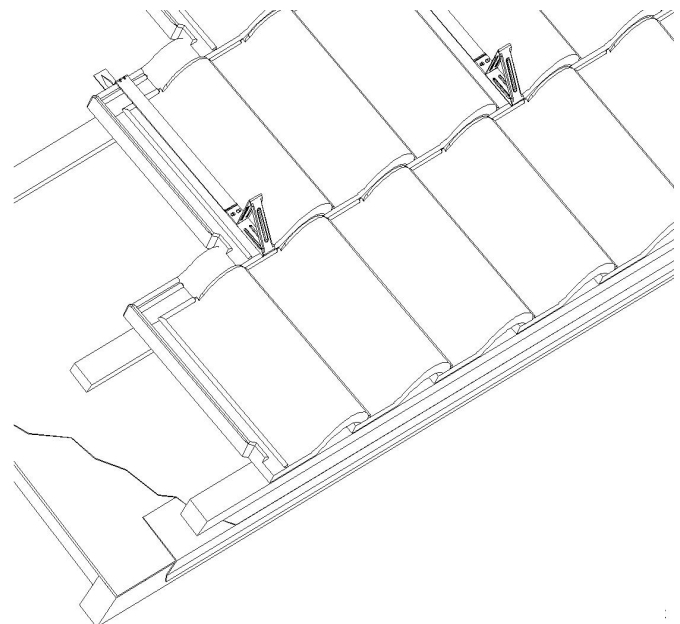
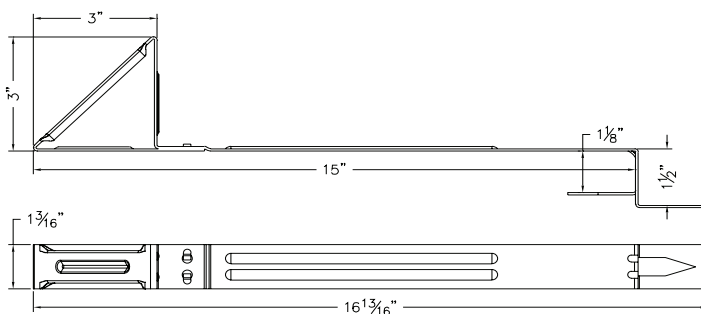
- Electro-galvanized steel
- Hot-dipped galvanized steel
- Mill finish Aluminum
- Mill finish Copper
- Powder coating available in many colors visit <http://trasnowandsun.com/color-chart/> to see color chart

NOTE: Due to specific job conditions, TRA Snow and Sun will only warranty a snow retention system/layout that has been designed by TRA Snow and Sun.



FOR NEW CONSTRUCTION OR RETROFIT

USED ON: BARTILE, VANDEHEY AND OTHER SIMILAR TILES



Bracket is installed with triangular end of bracket at butt end of roof tile and upper end under the course above.

DIMENSIONS

DO NOT SCALE

INSTALLATION

DO NOT SCALE

SNOW RETENTION SYSTEMS

*Dimensions shown are in inches.