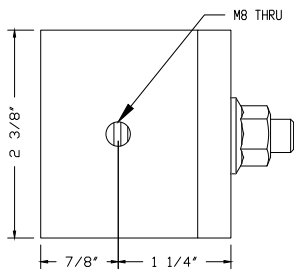
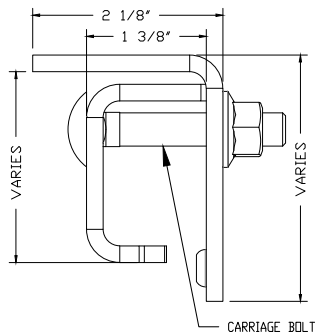




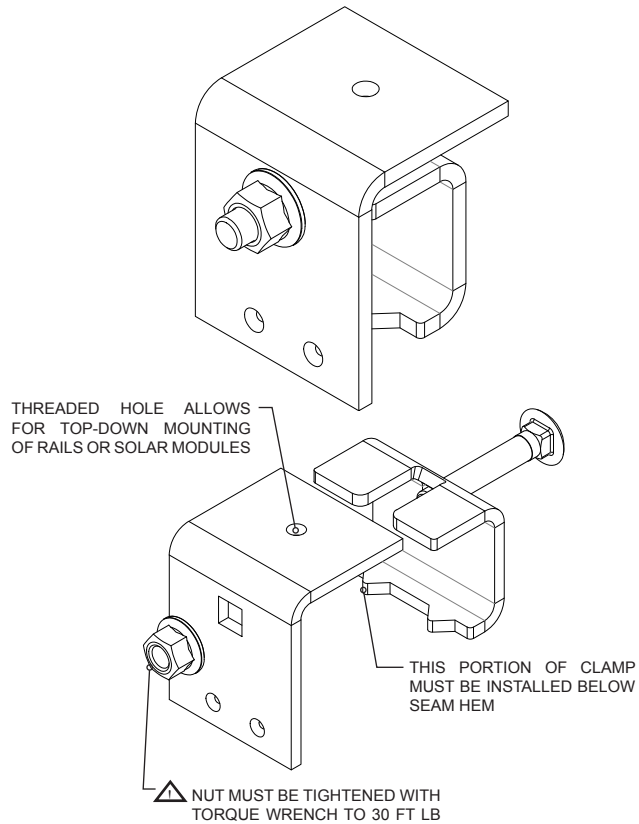
EZ SOLAR MOUNTCLAMP ON

TECHNICAL SPECIFICATIONS	
Part Number	77000524-ST, 77000524-ST
Material	<ul style="list-style-type: none"> Steel :: 3/16" (ASTM A36) Copper :: 1/4" (ASTM B124) Stainless Steel :: (ASTM A666)
Finishes	<ul style="list-style-type: none"> Mill finish steel Zinc plated steel (ASTM B633, Type II, SC3) Powder coating available (RAL Standard Colors)
Allowable Load (lbs)	Uplift: 300-500 (Dependent on the panel clip spacing)
Companion Parts	<ul style="list-style-type: none"> Carriage Bolts, Stainless Steel, (included in assembly) Cross Connector KP01, 53mm, 8.2mm Socket Head Cap Screw M8 x VAR
Compatible Mounting Rails	All TRA Snow and Sun rails as well as other major brands
Compatible Solar Modules	All major brands
Warranty	25 Years (See warranty documentation for conditions)

NOTE: Dimensions shown are in inches unless otherwise noted. Height varies based on standing seam rib type and height. They are manufactured to specific project conditions and seam profiles.



RIB TYPES



SOLAR MOUNTING SYSTEMS