

IAPMO ER-0829  
**TileVent | Copper Tape**

**METAL**

- Highly durable and weather resistant
- Maximum formability and long term functionality
- Fully recyclable

**IAPMO ER-0829**

- Passed Dade County wind driven rain test (PA100(A)-95)
- Passed ICC dust test (AC132)

**NET FREE AIRFLOW**

- 10.3 in<sup>2</sup> per running foot (9.5", 11", 13" and 15.75" width)

**SOLID COPPER**

- Prevents moss and organic build-up on roof surface

**CONTINUOUS CORRUGATION**

- Stretching factor of 30%
- Conforms to roof surface
- Application for hip and ridge
- Easy installation

**PERFORATED**

- Continuous air exhaust
- Reliable weather block

**BUTYL ADHESIVE SHEETS**

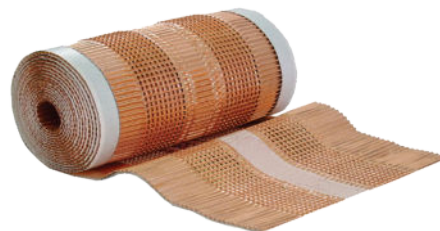
- Additional security against driving rain and snow

**TECHNICAL INFORMATION**

- Body: corrugated copper
- Height Thickness: .003" with butyl adhesive strips
- Width: 9.5", 11", 13" and 15.75"
- Length: 25 ft./per roll
- Standard Colors: mill finish copper

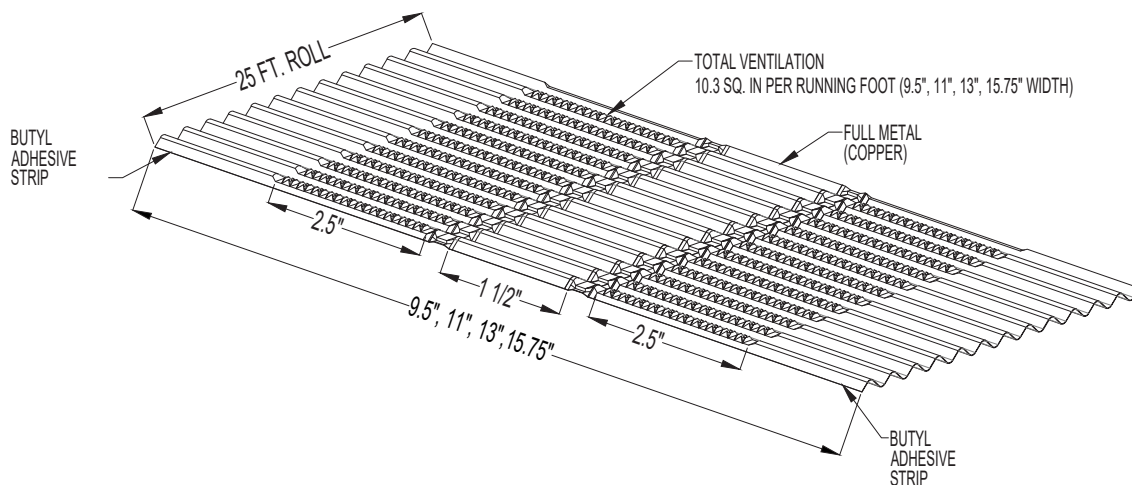
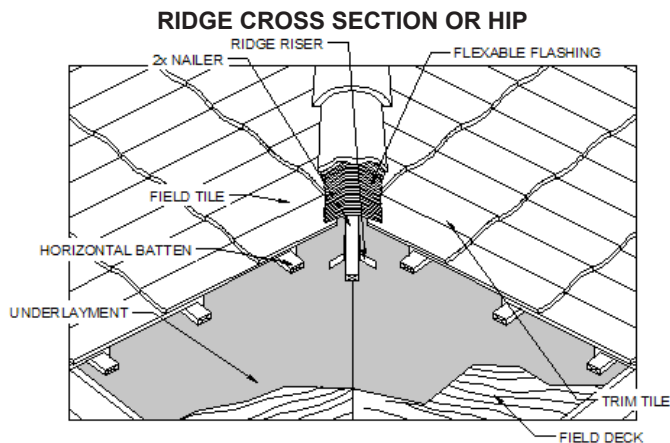
**WARRANTY**

- 25 year limited warranty



**FOR NEW CONSTRUCTION AND RETROFIT**

**USED ON: TILE ROOFS**



**DIMENSIONS**  
DO NOT SCALE

**VENTILATION AND FLASHING SYSTEMS**

ICC#: ESR-1787  
**TileVent | Copper Tape**

<b>COPPER TAPE</b>				
STRUCTURE	Copper tape .003" thick with butyl adhesive strips			
MATERIAL FRONT	Copper 99.9 (semihard)			
MATERIAL CHARACTERISTICS	abbreviation	SF-CU/F20	by DIN 77670	
		99.9% Cu	0.01% - 0.04% Phosphorus	
		Thickness	0.08 mm	
		Tensile strength $R_m$	200 - 250 N/m <sup>2</sup>	
		0.2% Elongation limit $R_{p0.2}$	max. 100 N/mm <sup>2</sup>	
		Elongation at rupture $A_5$ :	min. 42%	
		$A_{10}$	min. 36%	
<b>ADHESIVE STRIPS</b>				
STRUCTURE	Extruded strip of very tacky sealant/adhesive based on butyl rubber covered with a release film			
MATERIAL BACK SIDE	Butyl, Polyisobutylene			
MATERIAL CHARACTERISTICS (OUTSIDE)	Specific weight:	1.49 g/ml		
	Temperature resistance:	-50°C - +90°C		
	Plasticity:	70<P>100 acc. NFP 85513 norm		
	Plastic flow:	0 mm at 23° and 0 mm at 70° acc. NFP 85501 norm		
	Drying substance	100%		
	Shearing stress-resisted:	speed 100 mm/min	0.107 Pa	
	Tearing off resistance:	speed 100 mm/min	0.233 Pa	
	Steam permeability:	> 500%		
	Migration of components:	impermeable		
	Compatibility with paints:	no migration, no spotting		
	Resistance:	Water	excellent	
		Sea water	excellent	
		House detergent	very good	
Weak acid		good		
Basen thinly		very good		
Alcohol		moderately		
	Organic solvents	poor		