

ICC#: ESR-1787
TileVent | Aluminum Tape

METAL

- Highly durable and weather resistant
- Maximum formability and long term functionality
- Fully recyclable

ICC# ESR-1787

- Passed Dade County wind driven rain test (PA100(A)-95)
- Passed ICC dust test (AC132)

NET FREE AIRFLOW

- 10.3 in² per running foot (9.5", 11", 13" and 15.75" width)

HIGH QUALITY COLOR COATING

- Durable UV resistant

CONTINUOUS CORRUGATION

- Stretching factor of 30%
- Conforms to roof surface
- Suitable for hip and ridge application
- Easy installation

PERFORATED

- Continuous air exhaust
- Reliable weather block

BUTYL ADHESIVE SHEETS

- Additional security against driving rain and snow

TECHNICAL INFORMATION

- Body: aluminum, corrugated and colored
- Height Thickness: .0057" with butyl adhesive strips
- Width: 9.5", 11", 13" and 15.75"
- Length: 25 ft./per roll
- Standard Colors: red, brown, black and gray

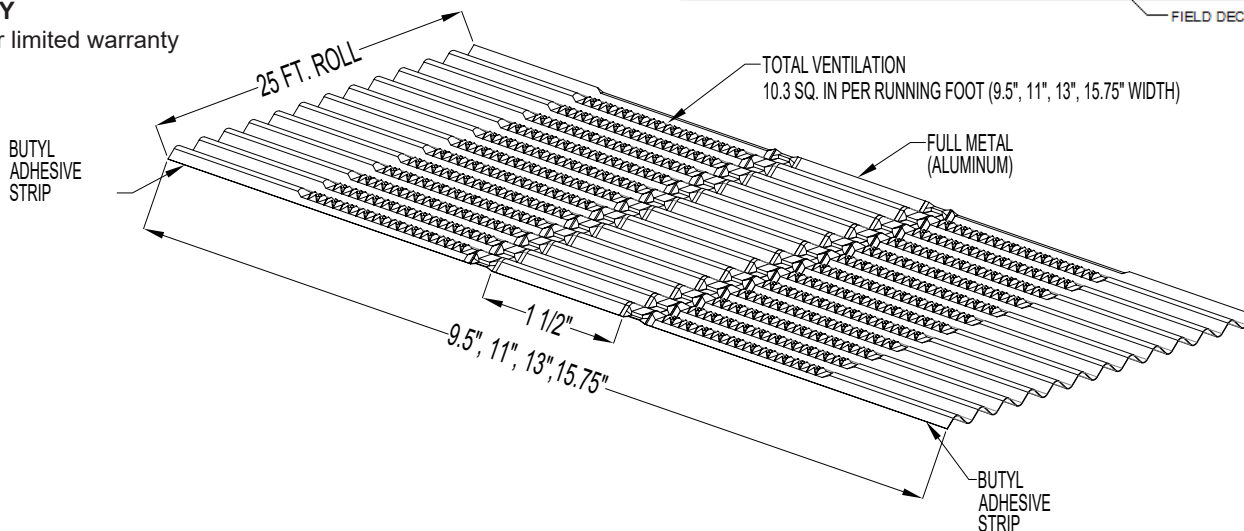
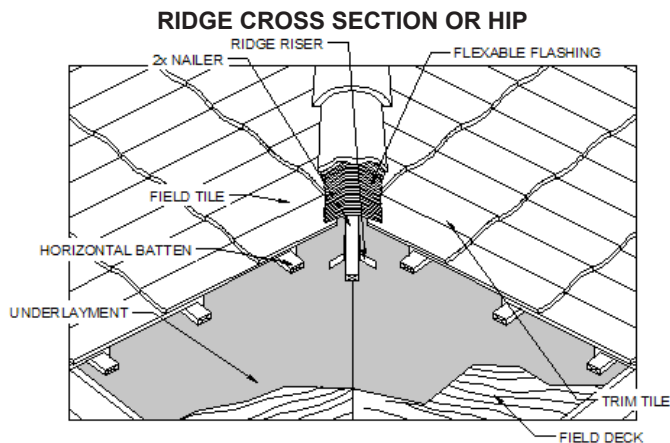
WARRANTY

- 25 year limited warranty



FOR NEW CONSTRUCTION AND RETROFIT

USED ON: TILE ROOFS



DIMENSIONS
DO NOT SCALE

VENTILATION AND FLASHING SYSTEMS

ICC#: ESR-1787
TileVent | Aluminum Tape

ALUMINUM TAPE			
STRUCTURE	Aluminum tape .0057" thick with color coating and butyl adhesive strips		
MATERIAL FRONT	Aluminum 99.5 (soft)		
MATERIAL CHARACTERISTICS	Lacquer		
	Quantity (dry)	0.4 - 0.5 oz/1.2 sq. yd.	
	Standard colors:	Red	(similar RAL 8004)
		Brown	(similar RAL 8019)
		Black	(similar RAL 9004)
		Gray	(similar RAL 7037)
	Gloss degree	unstressed	
	60° W:	35 +/- 5%	ECCAT 2
	Wear resistance	< 15% after 1.000 h QUVB	ECCAT 14
	Salt spray test	no damage after 1.000 h stress	ECCAT 9
	Distortion	minimum loss of gloss after 1.000 h stress	ECCAT 9
	Kesternich-test	no damage after 1.000 h stress	ECCAT 16
	T-bending:	T = 0.5 no cracks	ECCAT 7
	QUV-test	remaining gloss < 5%	ECCAT 3
(UVB 313)	after 1.000 h stress		
ADHESIVE STRIPS			
STRUCTURE	Extruded strip of very tacky sealant/adhesive based on butyl rubber overed with a release film		
MATERIAL BACK SIDE	Butyl, Polyisobutylene		
MATERIAL CHARACTERISTICS (OUTSIDE)	Specific weight:	0.05 oz/0.03 fl. oz.	
	Temperature resistance:	continuously from -60°F - +200°F	
	Softening Point:	70<P>100 acc. NFP 85513 norm	
	Drying substance:	100%	
	Gravity resistance:	1.107 Pa at 4 in./min	
	Tearing off resistance:	0.233 Pa at 4 in./min	
	Elongation at break:	> 500%	
	Vapor resistance:	impermeable	
	Compatibility with paints:	no migration, no spotting	
	Resistance:	Water	excellent
		Sea Water	excellent
House detergent		very good	
Acid (diluted)		good	
Base (diluted)		very good	
Alcohol		average	
Organic solvents	poor		