



## T-1 TILE DECK MOUNT

### DESCRIPTION

- For use on most tile roof types
- Designed for most stick framed roof types
- Accepts 1" (1.315"OD) fence tube
- Installed using (4) 3/8" Lag bolts
- Must be installed into structural roof member such as a truss or rafter beam
- All roof penetrations that go through the underlayment are required to be flashed or sealed
- Ice Flags as option
- Powder coated to match roofing material color
- Overall dimensions: 24.27"L X 2.32"W X 13.16"H

### MATERIALS

- Steel: 1/4" (ASTM A36)
- Copper: 1/4" (ASTM B152)
- A588: 1/4" (ASTM A588)

### COLORS/FINISHES

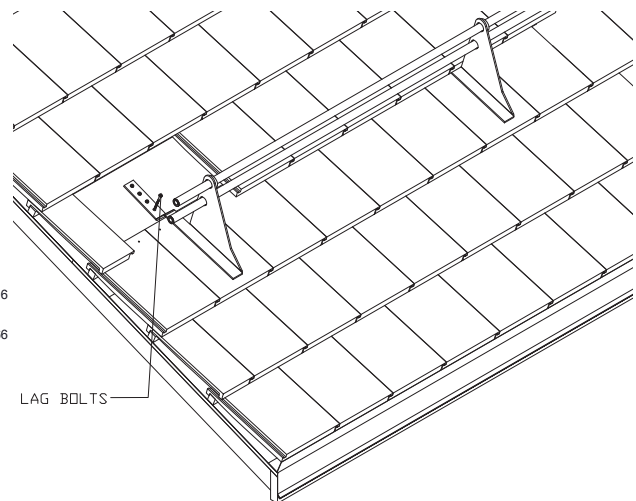
- Zinc plated steel
- Electro-galvanized steel
- Hot-dipped galvanized steel
- Mill finish Copper
- Mill finish A588
- Powder coating available in many colors visit <http://trasnowandsun.com/color-chart/> to see color chart

**NOTE:** Due to specific job conditions, TRA Snow and Sun will only warranty a snow retention system/layout that has been designed by TRA Snow and Sun.



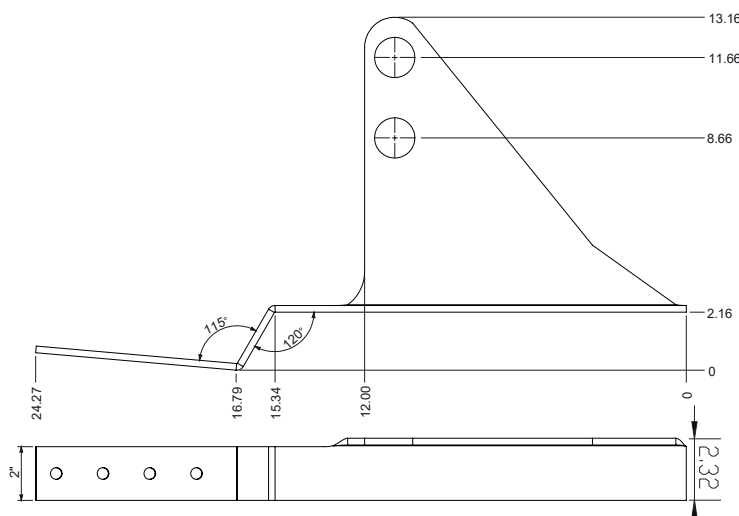
### 2 TUBE SNOW FENCE SYSTEM

### USED ON: TILE ROOFS



**DECK MOUNT 'T-1'  
FLAT TILE ROOF**

**INSTALLATION:**  
BRACKET IS INSTALLED WITH FOUR LAG BOLTS DIRECTLY INTO RAFTERS.



**DIMENSIONS**  
DO NOT SCALE

\* ALL ROOF PENETRATIONS THAT GO THROUGH THE UNDERLAYMENT ARE REQUIRED TO BE FLASHED OR SEALED.