

# SNOW BRACKET™ MAPLE LEAF ATTACHMENT

## DESCRIPTION

- Designed for TRA snow brackets as a decorative attachment
- Powder coated to match roofing material color

## MATERIALS

- Zinc Coated Steel: 16 ga (ASTM A653)
- Copper: 48 oz (ASTM B152)
- A588: 16 ga (ASTM A588)

## COLORS/FINISHES

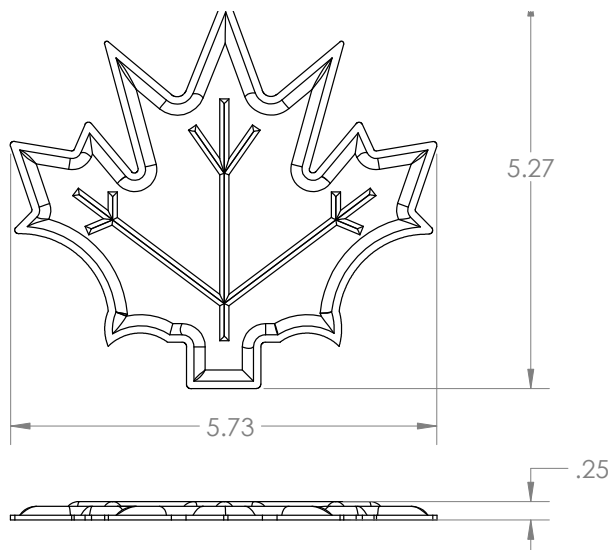
- Zinc Plated
- Powder coating available in many colors visit <http://trasnowandsun.com/color-chart/> to see color chart

**NOTE:** Due to specific job conditions, TRA Snow and Sun will only warranty a snow retention system/layout that has been designed by TRA Snow and Sun.



**FOR NEW CONSTRUCTION AND RETROFIT**

**USED ON: TRA SNOW BRACKETS**



**DIMENSIONS**  
DO NOT SCALE



## INSTALLATION:

The Maple Leaf attachment comes in a variety of different brackets. For installation, see your bracket type for details.

**SNOW RETENTION SYSTEMS**