



SNOW BRACKET™ I (CREST) - CLASSIC

DESCRIPTION

- Designed for use on corrugated metal roofs
- Bracket tail bent to match panel corrugation
- Installed using (2) #14 fasteners
- Butyl applied under the bracket tail as an option
- Can be powder coated to match roofing material color
- Overall dimensions: 9.98" L X 1.19" W X 3.08" H

MATERIALS

- Zinc Coated Steel: 16 ga (ASTM A653)
- Copper: 48 oz (ASTM B152)
- Weathering Steel (known as CORTEN®): 16 ga (ASTM A606)
- Stainless Steel: 16 ga (ASTM A240)

COLORS/FINISHES

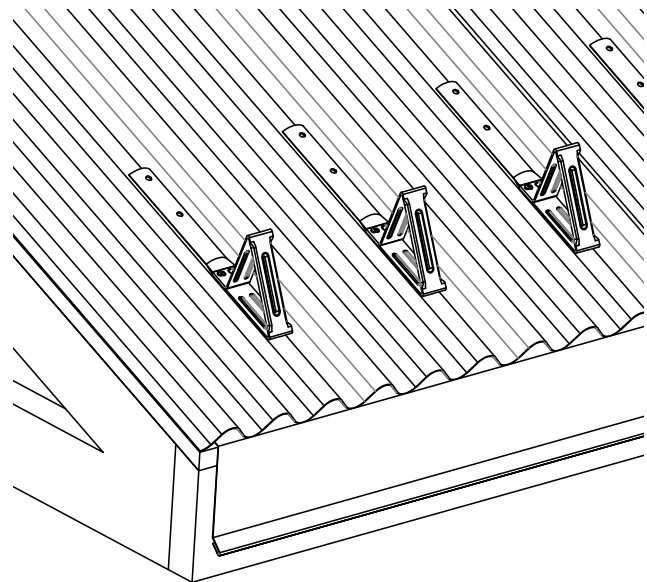
- Zinc Plated
- Powder coating available in many colors visit <http://trasnowandsun.com/color-chart/> to see color chart

NOTE: Due to specific job conditions, TRA Snow and Sun will only warranty a



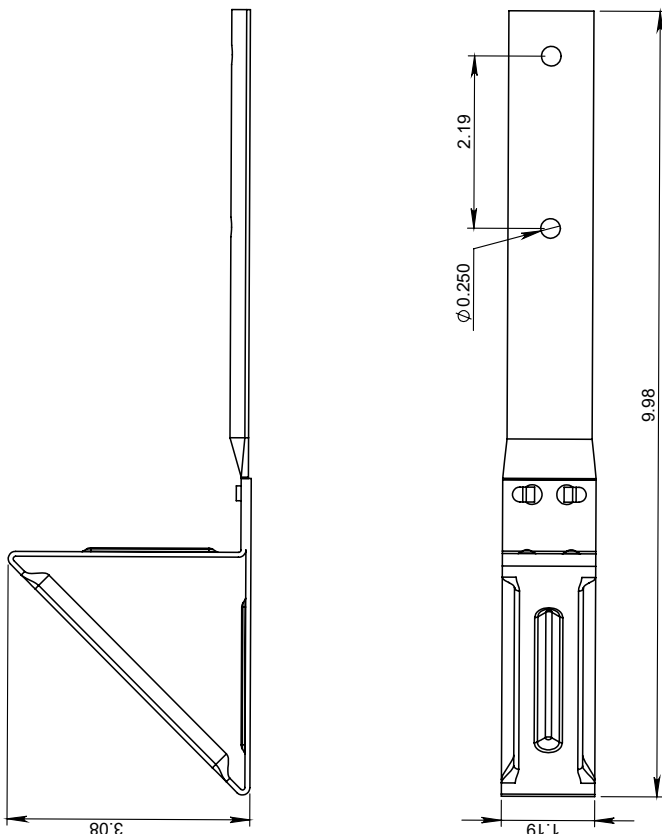
FOR NEW CONSTRUCTION OR RETROFIT

USED ON: CORRUGATED METAL



INSTALLATION:

Face the triangular portion of bracket towards the roof eave (see image above). Install brackets with optional butyl using (2) #14 screws fastened through roof material and sheathing below. All roof penetrations that go through the underlayment are required to be flashed or sealed.



DIMENSIONS
DO NOT SCALE