



## SNOW BRACKET™ BRAVA - APEX

### DESCRIPTION

- Designed for use with Brava's Spanish Tile
- Installed using (1) #8 screw and (4) roofing nail that must penetrate the sheathing
- All roof penetrations that go through the underlayment are required to be flashed or sealed
- Can be powder coated to match roofing material color
- Overall dimensions: 20 5/8" L X 2 1/4" W X 3 3/4" H

### MATERIALS

- Zinc Coated Steel: 16 ga (ASTM A653)
- Copper: 48 oz (ASTM B152)
- Stainless Steel: 16 ga (ASTM A240)

### COLORS/FINISHES

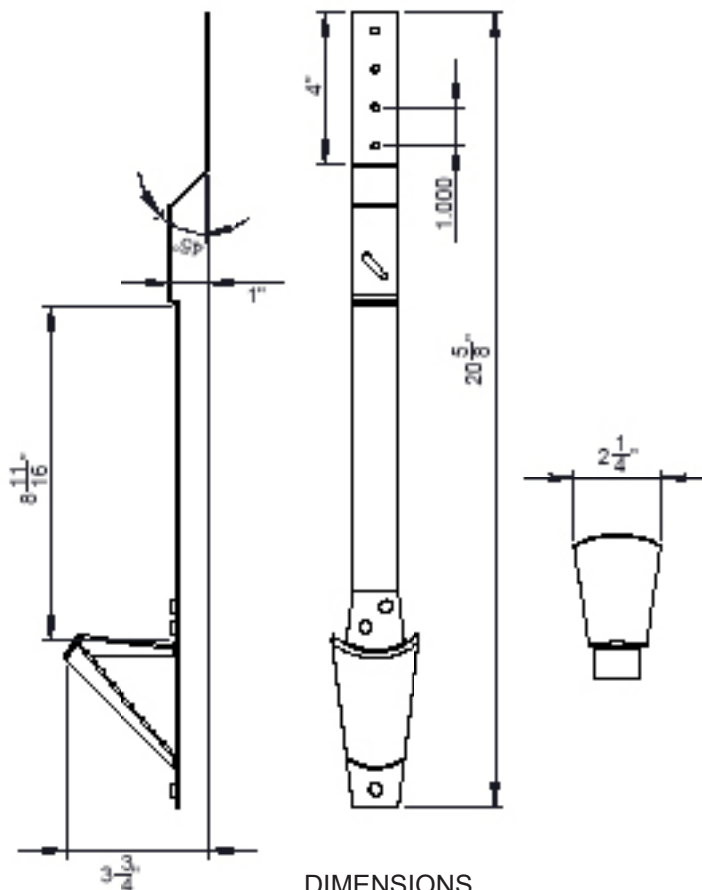
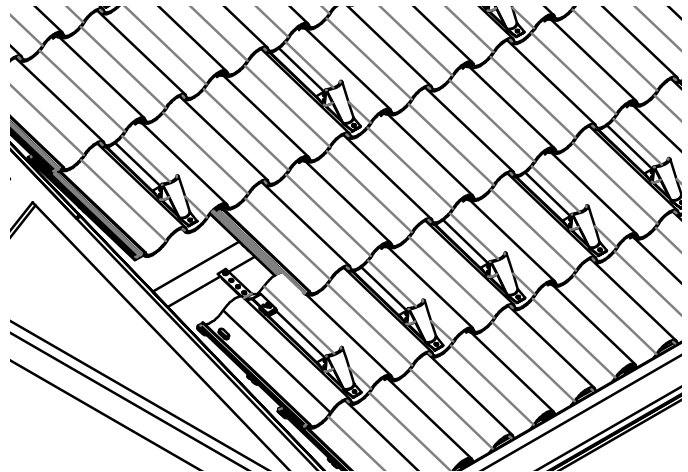
- Zinc Plated
- Powder coating available in many colors visit <http://trasnowandsun.com/color-chart/> to see color chart

**NOTE:** Due to specific job conditions, TRA Snow and Sun will only warranty a snow retention system/layout that has been designed by TRA Snow and Sun.



**FOR NEW CONSTRUCTION OR RETROFIT**

**USED ON: BRAVA'S SPANISH TILE**



**DIMENSIONS**  
DO NOT SCALE

### INSTALLATION:

THE BRACKET IS INSTALLED WITH THE UPPER END CONNECTING THE TOP OF THE TILE WITH THE TAIL CONTINUING UNDER THE COURSE ABOVE. REQUIRED FASTENERS FOR CONTINUING TAIL IS FOUR 1" ROOFING NAILS AND ONE #8 SCREW FOR THE CONNECTING SLOT INTO TILE. **ALL FASTENERS MUST PENETRATE THE SHEATHING.**

### NOTES:

IF BRACKET IS COPPER, THEN STAINLESS STEEL SCREWS MUST BE USED TO MOUNT THE BRACKET; OTHERWISE USE SAME FASTENERS ON THE BRACKET AS USED ON THE ROOF TILE. **ALL ROOF PENETRATIONS THAT GO THROUGH THE UNDERLAYMENT ARE REQUIRED TO BE FLASHED OR SEALED.**

**SNOW RETENTION SYSTEMS**