

SNOW BLOCKER 2 CORRUGATED (SHEATHING)

DESCRIPTION

- Designed for use on corrugated metal panel
- Installed using (5) #14 screws (recommended fasteners sold separately)
- Designed for 1.0" OD tube
- Can be powder coated to match roofing material color
- Ice Flags (recommended)
- Butyl applied under the snow blocker (optional)
- Overall dimensions: 4.45" L X 1.99" W X 6.19" H

MATERIALS

- Steel: 10 gauge (ASTM A1011 & ASTM A36)
- Weathering Steel (known as CORTEN®): 10 gauge (ASTM A588)
- Stainless Steel: 7 gauge (ASTM A304)

COLORS/FINISHES

- Uncoated Steel
- Zinc Coated
- Powder coating available in many colors visit <http://trasnowandsun.com/color-chart/> to see color chart

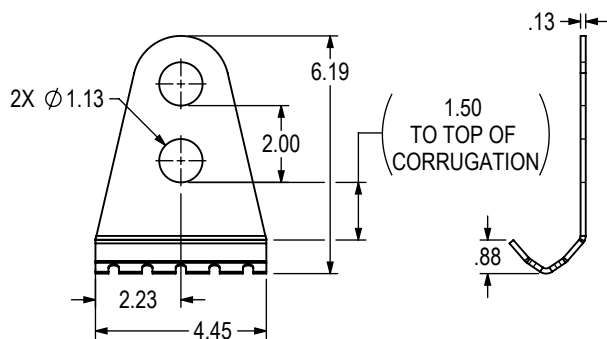
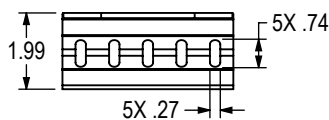
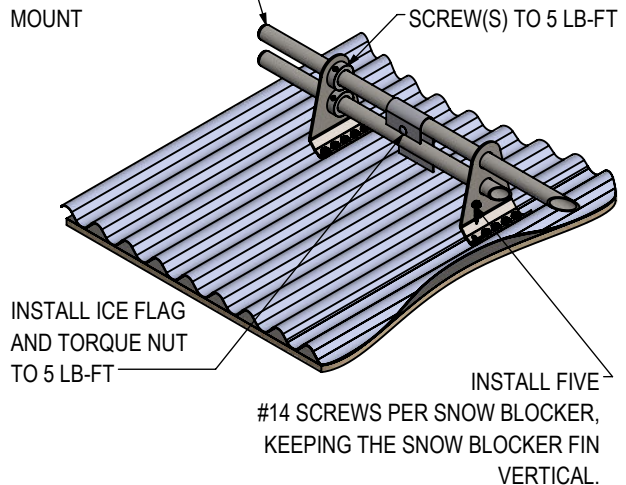
NOTE: Due to specific job conditions, TRA Snow and Sun will only warranty a snow retention system/layout that has been designed by TRA Snow and Sun.



USED ON: CORRUGATED METAL PANEL FOR NEW CONSTRUCTION OR RETROFIT

TUBE(S) MUST NOT
EXTEND MORE THAN 6"
PAST THE FINAL
MOUNT

PLACE COLLAR(S) INSIDE OF THE
MOUNT AT THE END OF EACH
FENCE SECTION. TORQUE SET
MOUNT



DIMENSIONS
DO NOT SCALE

INSTALLATION INSTRUCTIONS:

Align the Snow Blocker according to the TRA-designed layout. Flashing/waterproofing brackets as necessary (proper flashing techniques and waterproofing methods not provided, please consult with local waterproofing codes). Install using five #14 screws per snow blocker, keeping the snow blocker fin vertical. All screws must fully penetrate the sheathing.

After installation, flashings may be fabricated and installed at the installer's discretion based on site-specific needs. All roof penetrations through the underlayment must be properly flashed or sealed to maintain the integrity of the roofing system. For added protection, TRA Snow & Sun offers an optional butyl that can be applied beneath the Snow Blocker.

SNOW RETENTION SYSTEMS