



# SNOW BLOCKER 1

## DESCRIPTION

- Designed for use with exposed fastener metal panel roofing
- Fastens to purlin, blocking or other structural framing
- Superior strength
- Can be powder coated to match roofing material color
- Ice Flags (optional)
- Butyl flashing applied under the snow blocker (optional)
- Designed for small tubes
- Overall dimensions: 4" L X 1.911" W X 3.24" H

## MATERIALS

- Steel: 3/16" (ASTM A1011 & ASTM A36)
- Copper: 1/4" (ASTM B152)
- A588: 3/16" (ASTM A588)
- Stainless Steel: 7 gauge (ASTM A304)

## COLORS/FINISHES

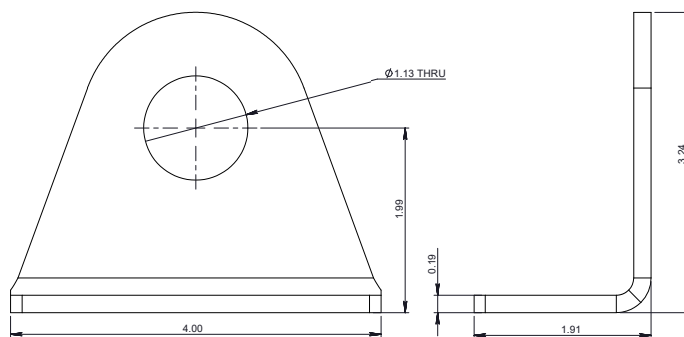
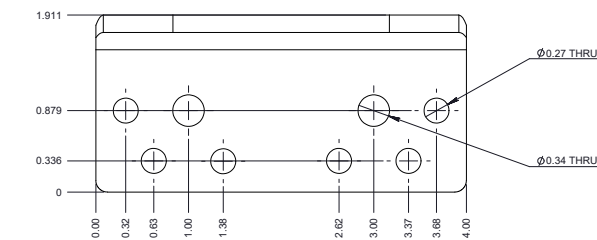
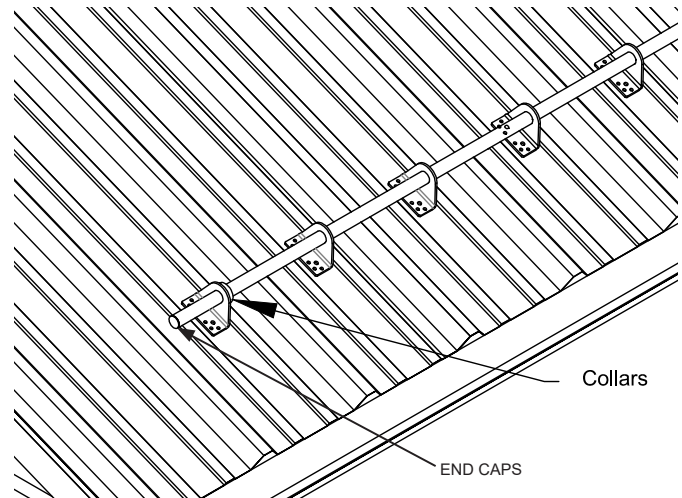
- Raw steel
- Electro-galvanized steel
- Hot-dipped galvanized steel
- Mill finish Copper
- Mill finish A588
- Mill finish Stainless Steel A304
- Powder coating available in many colors visit <http://trasnowandsun.com/color-chart/> to see color chart

**NOTE:** Due to specific job conditions, TRA Snow and Sun will only warranty a snow retention system/layout that has been designed by TRA Snow and Sun.



**FOR NEW CONSTRUCTION OR RETROFIT**

**USED ON: EXPOSED FASTENER  
METAL PANEL**



**DIMENSIONS**  
DO NOT SCALE

## INSTALLATION INSTRUCTIONS:

SNOW BLOCKER IS INSTALLED WITH A MINIMUM OF FOUR #14 1-1/2" SCREWS SCREWED INTO PURLIN, BLOCKING OR OTHER STRUCTURAL FRAMING. POSITION SNOW FENCE HOLES DIRECTLY OVER CENTER OF PURLIN. WE ADVISE PLACING SOME TYPE OF CAULKING OR SEALANT IN THE LOCATION OF THE HOLES BEFORE INSTALLING SCREWS. FLASHINGS CAN THEN BE FABRICATED AND PLACED AT THE INSTALLERS DISCRETION. AS AN OPTION, WE DO OFFER BUTYL FLASHING THAT IS APPLIED UNDER THE SNOW BLOCKER.

- ALL ROOF PENETRATIONS THAT GO THROUGH THE UNDERLAYMENT ARE REQUIRED TO BE FLASHED OR SEALED.