



VersaFlash HP | Aluminum Tape

METAL

- Highly durable and weather resistant
- Maximum formability and long term functionality
- Fully recyclable

HIGH QUALITY COLOR COATING

- Durable UV resistant
- Standard Colors: red, brown, black and gray (No 17.75")

CONTINUOUS CORRUGATION

- High profile
- Hard to flash details
- Stretching factor of 33%
- Conforms to extreme roof surface
- Usable for headwall, sidewall and/or trim junctions
- Easy installation

BUTYL ADHESIVE SHEETS

- Additional security against driving rain and snow

TECHNICAL INFORMATION

- Body: aluminum, corrugated and colored
- Height Thickness: .0057" with butyl adhesive strips
- Width: 9.5", 11", 13", 15.75" and 17.75"
- Length: 15 ft./per roll

WARRANTY

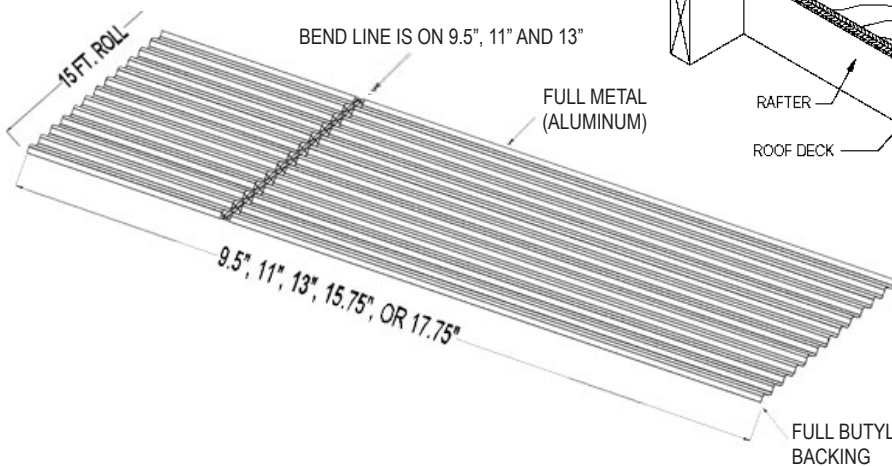
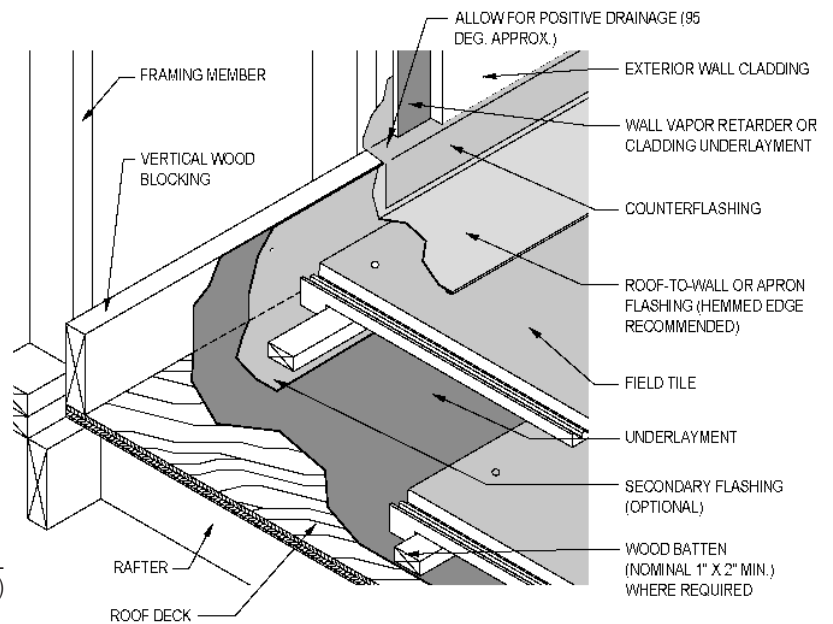
- 25 year limited warranty



FOR NEW CONSTRUCTION AND RETROFIT

USED ON: TILE ROOFS

HEAD WALL FLASHING



DIMENSIONS
DO NOT SCALE

VENTILATION AND FLASHING SYSTEMS



VersaFlash HP | Aluminum Tape

ALUMINUM TAPE			
STRUCTURE	Aluminum tape .0057" thick with color coating and butyl adhesive strips		
MATERIAL FRONT	Aluminum 99.5 (soft)		
MATERIAL CHARACTERISTICS	Lacquer		
	Quantity (dry)	12 - 15 g/m ²	
	Standard colors:	Red	(similar RAL 8004)
		Brown	(similar RAL 8019)
		Black	(similar RAL 9004)
		Gray	(similar RAL 7037)
	Gloss degree:	60%	
	60° Angle:	35 +/- 5%	ECCA T 2
	Chalking:	< 15% after 1.000 h QUVB	ECCA T 14
	Salt spray test:	no damage after 1.000 h stress	ECCA T 9
	Water dip stability:	easily gloss loss after 1.000 h stress	ECCA T 9
	Kesternich-test	no surface damage after 1.000 h load	ECCA T 16
	T-bending:	T = 0.5 no cracks in the lacquer	ECCA T 7
	QUV-test (UVB 313):	remaining gloss < 5% after 1.000 h stress	ECCA T 3
ADHESIVE STRIPS			
STRUCTURE	Full width extruded strip of very tacky sealant/adhesive based on butyl rubber overed with a release film		
MATERIAL BACK SIDE	Butyl, Polyisobutylene		
MATERIAL CHARACTERISTICS (OUTSIDE)	Specific weight:	1.49 g/ml	
	Temperature resistance:	continuously from -50°C - +80°C	
	Plasticity:	70<P>100 acc. NFP 85513	
	Plastic flow:	0 mm by 23° C and 0 mm by 70° C acc norm NFP 85501	
	Drying substance:	100%	
	Shearing stress-resisted:	speed 100 mm/min 0.107 Pa	
	Tearing off resistance:	speed 100 mm/min 0.233 Pa	
	Elongation at break:	> 500%	
	Steam permeability	impermeable	
	Migration of components:	no migration, no spotting	
	Compatibility with paints:	can be re-painted	
	Resistance:	Water	excellent
		Sea Water	excellent
		House detergent	very good
Acid (diluted)		good	
Base (diluted)		very good	
Alcohol		average	
	Organic solvents	poor	