



FAUX PANEL MOUNT 2

DESCRIPTION

- Snow Fence system designed for use with solar shingles
- 2-part system includes baseplate (mounted under faux solar shingles) and bracket (mounted on-top of faux solar shingles)
- Designed for attachment to roof decking with 9 - #14 Screws
- Powder-Coated to match Roof Color
- Overall dimensions: 8.625"L X 6"W X 6.9550"H
- Ice Flags (optional)

MATERIALS - BRACKET

- Steel: 3/16" (ASTM A36)

MATERIALS - BASEPLATE

- Steel: 10 ga. (ASTM A1011 & A36)

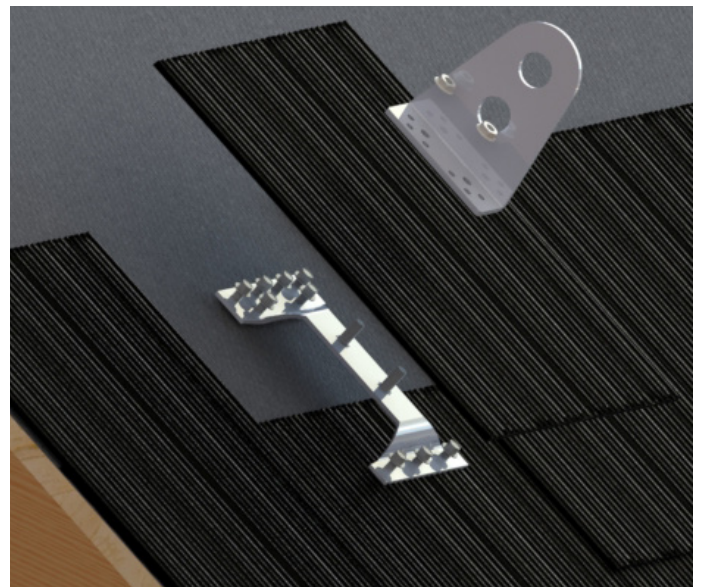
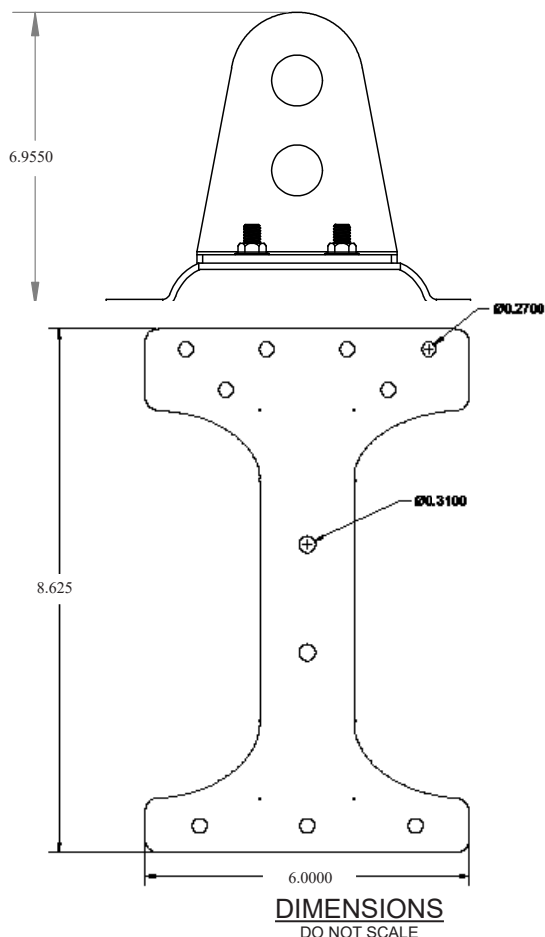
COLORS/FINISHES

- Electro-galvanized Steel
- Powder coating available in many colors visit <http://trasnowandsun.com/color-chart/> to see color chart

NOTE: Due to specific job conditions, TRA Snow and Sun will only warranty a snow retention system/layout that has been designed by TRA Snow and Sun.



**FOR NEW CONSTRUCTION
TWO TUBE SNOW FENCE SYSTEM
USED ON: SOLAR SHINGLES**



INSTALLATION INSTRUCTIONS:

Faux Panel Mount is installed with nine #14 screws screwed into sheathing. We advise placing some type of caulking or sealant in the location of the holes before installing screws. Flashings can then be fabricated and placed at the installers discretion. As an option, we do offer butyl flashing that is applied under the snow blocker. All roof penetrations that go through the underlayment are required to be flashed or sealed.

SNOW RETENTION SYSTEMS