



DECOGUARD CLAMP-ON MOOSE

DESCRIPTION

- Designed for standing seam metal roofs
- Available for all rib types including: Double Lock, Single Lock, Snap Lock, Skyline, etc
- Allows for full installation without penetration of the roof surface
- Powder coated to match roofing material color
- Overall dimensions: 4.50"L X 6.19"W X VAR"H
- Height (HT) of clamp varies based on rib type and height
- Carriage bolt (2) 3/8" Dia X 1-3/4" or 2"

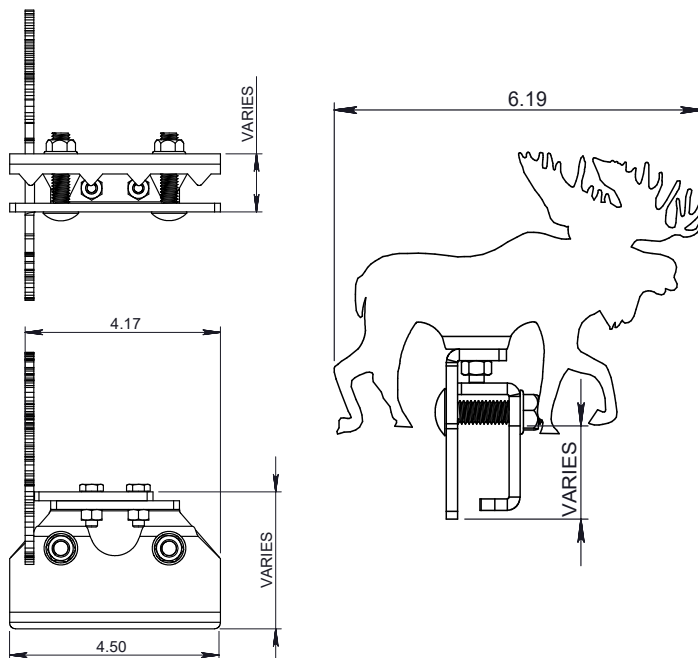
MATERIALS

- Zinc Coated Steel: 3/16" (ASTM A36)
- Copper: 1/4" (ASTM B152)
- A588: 3/16" (ASTM A588)

COLORS/FINISHES

- Raw Steel
- Zinc Plated Steel
- Hot-Dipped Galvanized Steel
- Mill Finish Copper
- Mill Finish A588
- Powder coating available in many colors visit <http://trasnowandsun.com/color-chart/> to see color chart

NOTE: Due to specific job conditions, TRA Snow and Sun will only warranty a snow retention system/layout that has been designed by TRA Snow and Sun.



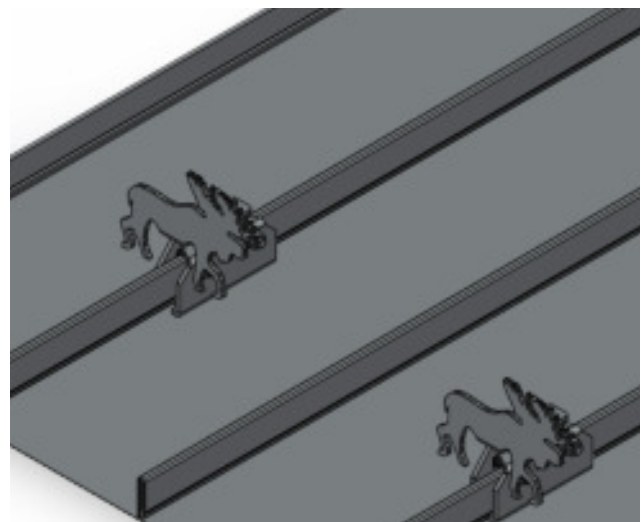
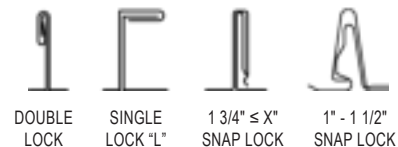
* These dimensions may vary based on the panel rib type and height.

DIMENSIONS
DO NOT SCALE



FOR NEW CONSTRUCTION AND RETROFIT

USED ON: STANDING SEAM METAL



INSTALLATION:
CLAMP THE SNOW FENCE TO THE RIB BY USING A TORQUE WRENCH WITH 30 FT - LBS. OF PRESSURE APPLIED TO EACH BOLT. FOR SPECIFIC ENGINEERING & PLACEMENT CALL TRA SNOW & SUN AT 801-756-8666.

SNOW RETENTION SYSTEMS