



DECOGUARD CLAMP-ON LEAF

DESCRIPTION

- Designed for standing seam metal roofs
- Available for all rib types including: Double Lock, Single Lock, Snap Lock, Skyline, etc
- Allows for full installation without penetration of the roof surface
- Powder coated to match roofing material color
- Overall dimensions: 4.67" L X 5.89" W X VAR"H
- Height (HT) of clamp varies based on rib type and height
- Carriage bolt (2) 3/8" Dia X 1-3/4" or 2"

MATERIALS

- Zinc Coated Steel: 3/16" (ASTM A36)
- Copper: 1/4" (ASTM B152)
- A588: 3/16" (ASTM A588)

COLORS/FINISHES

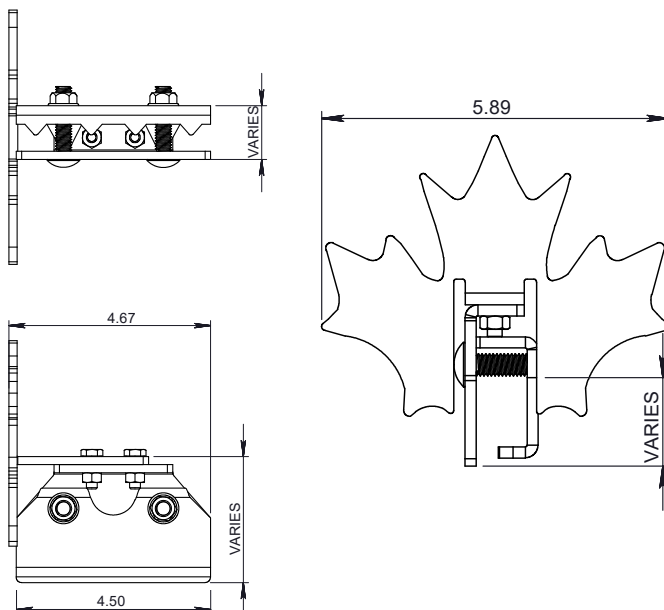
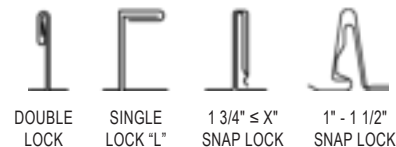
- Raw Steel
- Zinc Plated Steel
- Hot-Dipped Galvanized Steel
- Mill Finish Copper
- Mill Finish A588
- Powder coating available in many colors visit <http://trasnowandsun.com/color-chart/> to see color chart

NOTE: Due to specific job conditions, TRA Snow and Sun will only warranty a snow retention system/layout that has been designed by TRA Snow and Sun.

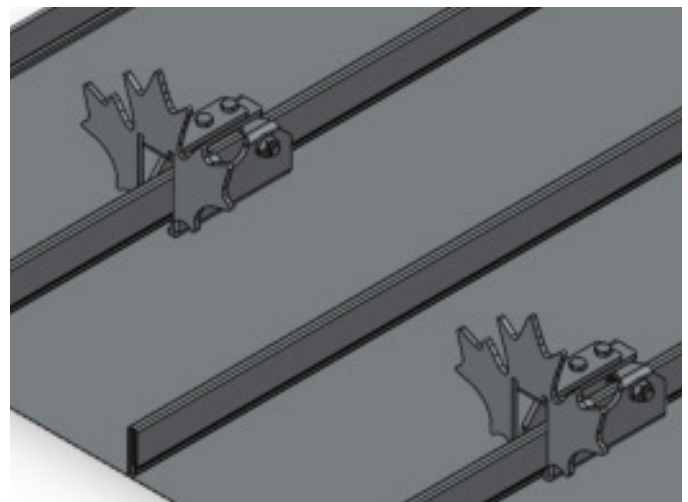


FOR NEW CONSTRUCTION AND RETROFIT

USED ON: STANDING SEAM METAL



* These dimensions may vary based on the panel rib type and height.



INSTALLATION:

CLAMP THE SNOW FENCE TO THE RIB BY USING A TORQUE WRENCH WITH 30 FT - LBS. OF PRESSURE APPLIED TO EACH BOLT. FOR SPECIFIC ENGINEERING & PLACEMENT CALL TRA SNOW & SUN AT 801-756-8666.

DIMENSIONS
DO NOT SCALE