



## D-TIMBER DECK MOUNT

### DESCRIPTION

- Designed for use in new construction applications
- Manufactured for 4"x4", 6"x6", 8"x8" or 12"x12" timber sizes
- Can be used with most common roofing materials
- Fastens to rafter, purlin, or other structural roof member
- Superior strength
- All roof penetrations that go through the underlayment are required to be flashed or sealed
- Can be powder coated to match roofing material color
- Overall dimensions:
  - 4" X 4" Timber: 15"L X 1.95"W X 8"H
  - 6" X 6" Timber: 15-1/4"L X 1.95"W X 11-1/8"H
  - 8" X 8" Timber: 20"L X 1.95"W X 13-7/8"H
  - 12" X 12" Timber: 20-5/8"L X 1.95"W X 19-7/16"H

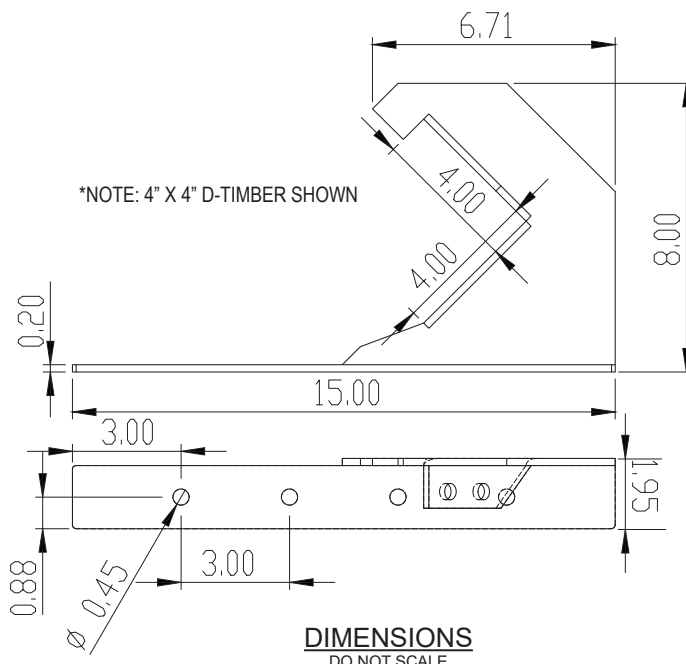
### MATERIALS

- Steel: 1/4" (ASTM A36)
- Copper: 1/4" (ASTM B152)
- A588: 1/4" (ASTM A588)

### COLORS/FINISHES

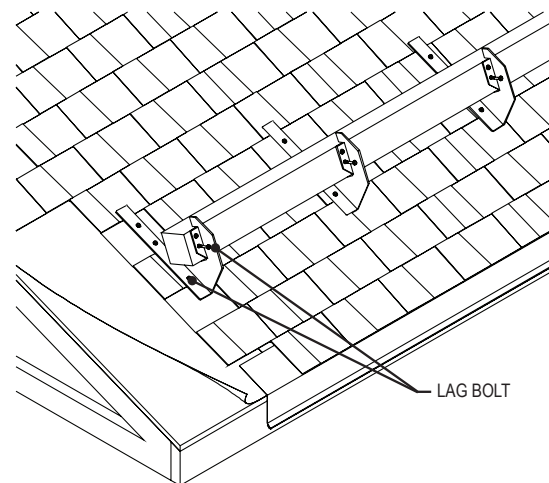
- Raw steel
- Electro-galvanized steel
- Hot-dipped galvanized steel
- Mill finish Copper
- Mill finish A588
- Powder coating available in many colors visit <http://trasnowandsun.com/color-chart/> to see color chart

**NOTE:** Due to specific job conditions, TRA Snow and Sun will only warranty a snow retention system/layout that has been designed by TRA Snow and Sun.



**FOR NEW CONSTRUCTION**

**USED ON: MOST ROOF MATERIAL TYPES  
WITH WOOD FRAMING**



Fence bracket to be installed using (4) 3/8" x 4" (or longer) lag bolts fastened into roof truss, rafter, purlin or other structural roof member. Fasteners should penetrate structural member no less than 2-3/4". (2) Lag bolts are also required to secure timber to fence bracket through tab provided.

\* ALL ROOF PENETRATIONS THAT GO THROUGH THE UNDERLAYMENT ARE REQUIRED TO BE FLASHED OR SEALED.