



D-LOG DECK MOUNT

DESCRIPTION

- Designed for use in new construction applications
- Can be manufactured for 6", 8" or 10" log diameters
- Can be used with most common roofing materials
- Fastens to rafter, purlin, or other structural roof member
- Superior strength
- All roof penetrations that go through the underlayment are required to be flashed or sealed
- Can be powder coated to match roofing material color
- Overall dimensions: VAR"L X 2.32"W X VAR"H

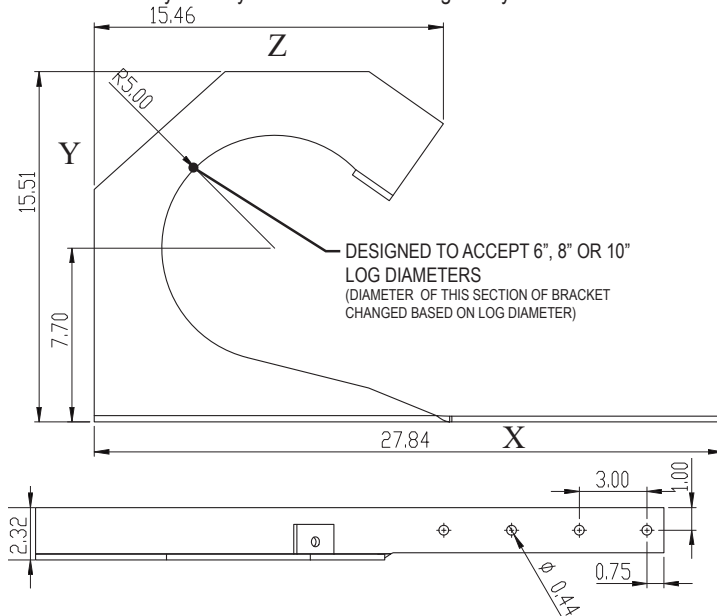
MATERIALS

- Steel: 1/4" (ASTM A36)
- Copper: 1/4" (ASTM B152)
- A588: 1/4" (ASTM A588)

COLORS/FINISHES

- Raw steel
- Electro-galvanized steel
- Hot-dipped galvanized steel
- Mill finish Copper
- Mill finish A588
- Powder coating available in many colors visit <http://trasnowandsun.com/color-chart/> to see color chart

NOTE: Due to specific job conditions, TRA Snow and Sun will only warranty a snow retention system/layout that has been designed by TRA Snow and Sun.



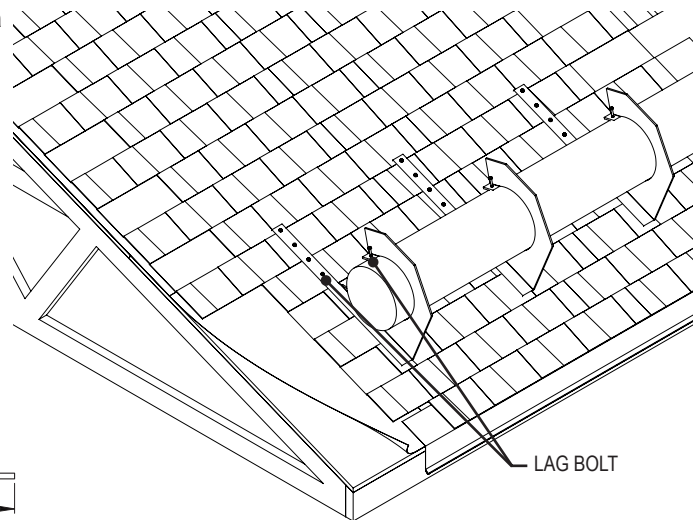
Diameter	X (Base)	Y (Height)	Z (Top)
6"	12.5"	11.5"	26.5"
8"	12.5"	13.5"	26.5"
10"	12.5"	17.5"	27.875"

DIMENSIONS
DO NOT SCALE



FOR NEW CONSTRUCTION

USED ON: MOST ROOF MATERIAL TYPES WITH WOOD FRAMING



Fence bracket to be installed using (4) 3/8" x 4" (or longer) lag bolts fastened into roof truss, rafter, purlin or other structural roof member. Fasteners should penetrate structural member no less than 2-3/4". Lag bolt is also required to secure log to fence bracket through tab provided.

* ALL ROOF PENETRATIONS THAT GO THROUGH THE UNDERLAYMENT ARE REQUIRED TO BE FLASHED OR SEALED.

SNOW RETENTION SYSTEMS