



C41Z CLAMP-ON

DESCRIPTION

- Designed for standing seam metal roofs
- Available for rib types including: Tee Seam, Zip Rib, Batten Lock
- Accepts 3/4" fence tube
- Allows for full installation without any penetration of the roof surface
- Allows for expansion and contraction of panel
- Powder coated to match roofing material color
- Overall dimensions: 4.50"L X 1.52"W X 2.75"H
- Height of clamp may vary based on rib type and height
- 3/8" Dia X 1-3/4" or 2" carriage bolt (2)

MATERIALS

- Zinc Coated Steel: 3/16" (ASTM A36)
- Copper: 1/4" (ASTM B152)
- Stainless Steel: 8 ga. (ASTM A240)

COLORS/FINISHES

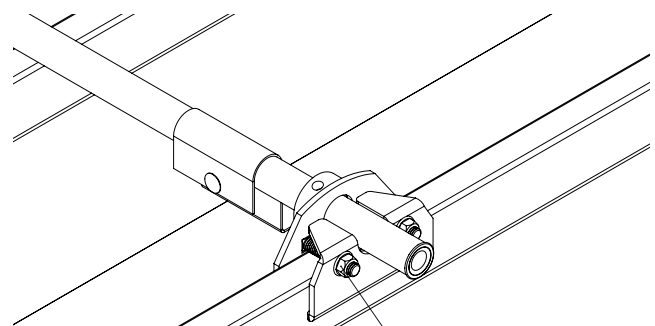
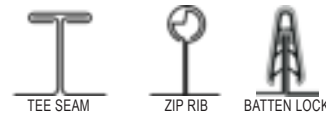
- Raw Steel
- Zinc Plated Steel
- Hot-Dipped Galvanized Steel
- Mill Finish Copper
- Stainless Steel
- Powder coating available in many colors visit <http://trasnowandsun.com/color-chart/> to see color chart

NOTE: Due to specific job conditions, TRA Snow and Sun will only warranty a snow retention system/layout that has been designed by TRA Snow and Sun.



1 RAIL STANDING SEAM SNOW FENCE

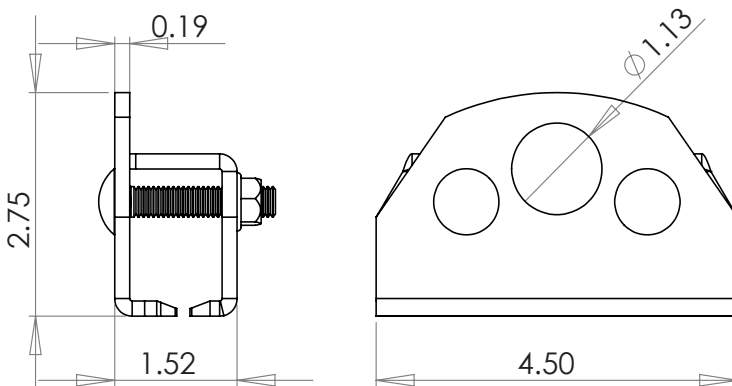
USED ON: STANDING SEAM METAL



TIGHTEN WITH TORQUE WRENCH TO 30 FT. LBS.

INSTALLATION:

CLAMP THE SNOW FENCE TO THE RIB BY USING A TORQUE WRENCH WITH 30 FT - LBS. OF PRESSURE APPLIED TO EACH BOLT. FOR SPECIFIC ENGINEERING & PLACEMENT CALL TRA SNOW & SUN AT 801-756-8666.



* These dimensions may vary based on the panel rib type and height.

DIMENSIONS
DO NOT SCALE