

# C22 EZ CLAMP-ON MECHANICALLY SEAMED PANEL 1", 1½", 2" SINGLE OR DOUBLE LOCK

## DESCRIPTION

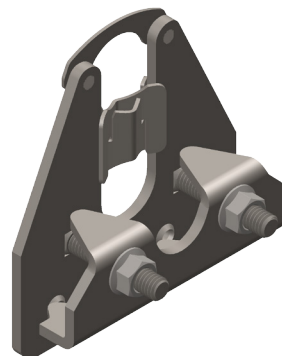
- Designed for 1", 1½", and 2" mechanical standing seam metal roof profiles
- Available for rib types including: Single Lock or Double Lock
- Designed for 1.0" tube (see small tube product data sheet)
- Allows for full installation without any penetration of the roof surface
- Powder coated to match roofing material color
- Overall dimensions: 4.45"L X 2.21"W X DIM\_B"H (see dimensions)
- Height of clamp varies based on rib type and height
- Ice Flags (Recommended)
- Recommended Tools: Tape Measure, Chalk Line, 7/32" Allen Wrench, Deep Well 9/16" Socket, Torque Wrench (15 & 30 LB-FT), Hammer, Circular Metal Saw

## MATERIALS

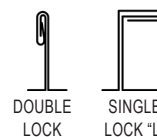
- Zinc Coated Steel: 3/16" (ASTM A36)

## COLORS/FINISHES

- Zinc Plated Steel
- Powder coating available in many colors visit <http://trasnowandsun.com/color-chart/> to see color chart



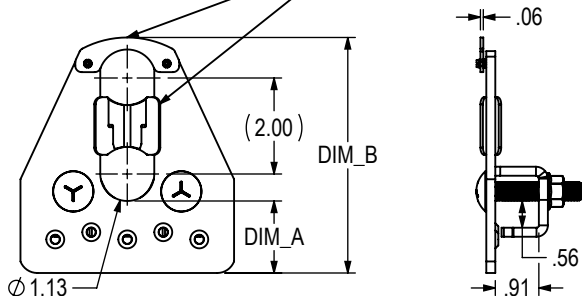
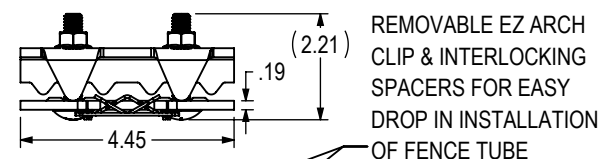
## 2 RAIL STANDING SEAM SNOW FENCE USED ON: STANDING SEAM METAL



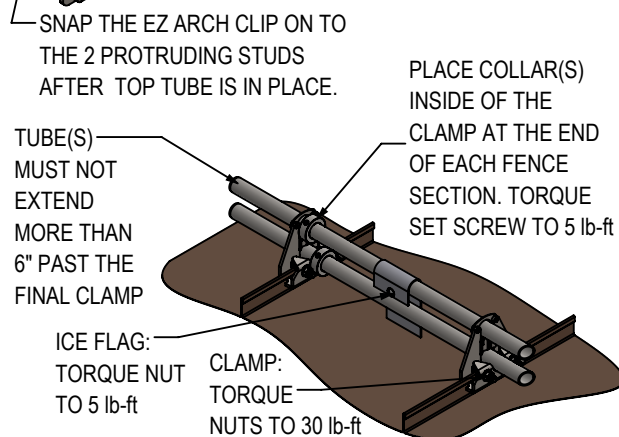
SNAP THE EZ ARCH CLIP ON TO THE 2 PROTRUDING STUDS AFTER TOP TUBE IS IN PLACE.

AFTER INSERTING THE FIRST TUBE WITH COLLARS, INTERLOCK THE MIDDLE SPACERS THEN SLIDE THEM DOWN THE FINS OF THE CLAMP SO THEY SET ON TOP OF THE FIRST TUBE.

	1" MECHANICAL SEAM	1.5" MECHANICAL SEAM	2" MECHANICAL SEAM
DIM_A	1.06	1.50	2.00
DIM_B	4.47	4.91	5.41



## DIMENSIONS DO NOT SCALE



## INSTALLATION:

Clamp the snow fence to the rib using a torque wrench and apply 30 lb-ft of torque to each bolt. Place the collars on the fence tube so it is inside of end clamps, then drop (or place) the tube into the clamps, adjust the tube and collar positions so the tube end is 6" or less from the clamp, and the collar is next to the clamp then torque the collar set screw to 5 lb-ft. Once the tube is properly positioned, snap the EZ Arch Clip securely over the two studs. For ice flag installations, torque the nut to 5 lb-ft. For specific placement, contact TRA Snow & Sun.

## SNOW RETENTION SYSTEMS