

C22HD CLAMP-ON

DESCRIPTION

- Designed for 1" - 1½" snap lock standing seam metal roofs
- Designed for clamp-on tubes (see clamp-on tube product data sheet)
- Allows for full installation without any penetration of the roof surface
- Powder coated to match roofing material color
- Overall dimensions: 9.67"L X 2"W X 5.19"H
- Height of clamp varies based on rib type and height
- Carriage bolt (4) ⅜" Dia X 2"

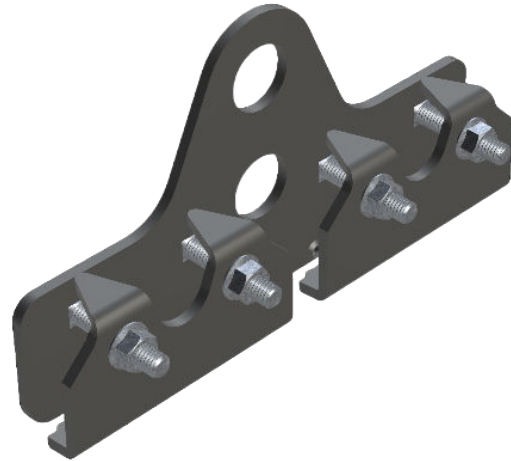
MATERIALS

- Zinc Coated Steel: ⅜" (ASTM A36)

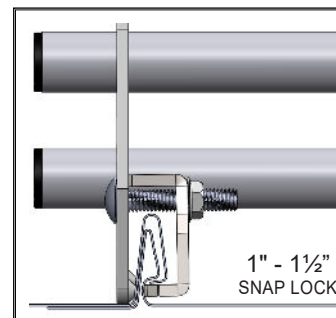
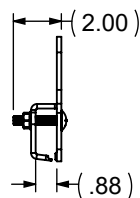
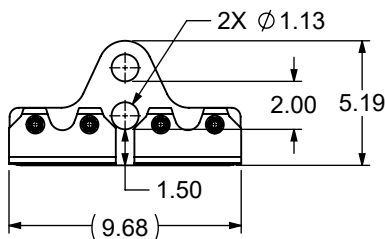
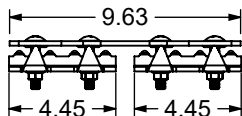
COLORS/FINISHES

- Raw Steel
- Zinc Plated Steel
- Powder coating available in many colors visit <http://trasnowandsun.com/color-chart/> to see color chart

NOTE: Due to specific job conditions, TRA Snow and Sun will only warranty a snow retention system/layout that has been designed by TRA Snow and Sun.



2 RAIL STANDING SEAM SNOW FENCE USED ON: STANDING SEAM METAL



INSTALLATION:
CLAMP THE SNOW FENCE TO THE RIB BY USING A TORQUE WRENCH WITH 30 FT - LBS. OF PRESSURE APPLIED TO EACH BOLT. FOR SPECIFIC ENGINEERING & PLACEMENT CALL TRA SNOW & SUN AT 801-756-8666.

DIMENSIONS
DO NOT SCALE