



## C21 HD CLAMP-ON

### DESCRIPTION

- Designed for standing seam metal roofs
- Available for rib types including: Double Lock, Single Lock, Snap Lock
- Designed for 1.0" OD tube (see clamp-on tube product data sheet)
- Allows for full installation without any penetration of the roof surface
- Powder coated to match roofing material color
- Overall dimensions: 9.68"L X 2"W X 2.88"H
- Carriage bolt (4) 3/8" Dia X 2"
- Weight: 2.85 pounds

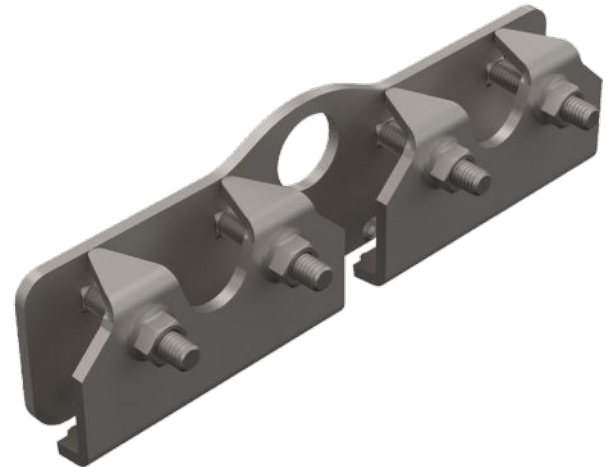
### MATERIALS

- Zinc Coated Steel: 3/16" (ASTM A36)

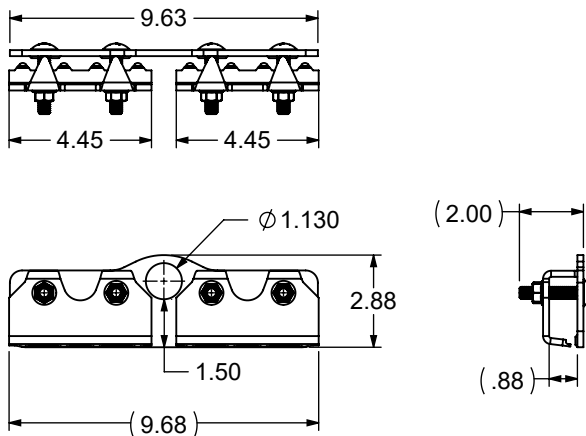
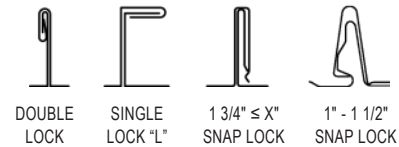
### COLORS/FINISHES

- Raw Steel
- Zinc Plated Steel
- Powder coating available in many colors visit <http://trasnowandsun.com/color-chart/> to see color chart

**NOTE:** Due to specific job conditions, TRA Snow and Sun will only warranty a



### 2 RAIL STANDING SEAM SNOW FENCE USED ON: STANDING SEAM METAL



**DIMENSIONS**  
DO NOT SCALE

TUBE(S) MUST NOT EXTEND MORE THAN 6" PAST THE FINAL CLAMP

PLACE COLLAR(S) INSIDE OF THE CLAMP-ON AT THE END OF EACH FENCE SECTION. TORQUE SET SCREW TO 5 lb-ft

CLAMP-ON: TORQUE NUTS TO 30 lb-ft

ICE FLAG: TORQUE NUT TO 5 lb-ft

DIMPLES TOWARD SEAM, & TEETH UNDER HEM

**INSTALLATION:**  
CLAMP THE SNOW FENCE TO THE RIB BY USING A TORQUE WRENCH WITH 30 LB-FT OF TORQUE APPLIED TO EACH BOLT. FOR SPECIFIC ENGINEERING & PLACEMENT CALL TRA SNOW & SUN AT 801-756-8666.