



## SNOW BRACKET™ LUDOWICI® HIGH - APEX

### DESCRIPTION

- Designed for Ludowici® S-Tile, and Pan and Cover Tile
- Can be used with Ludowici® Spanish, Italian Pan, and Palm Beach tiles
- Formed to correspond to tile's length
- Bracket fastens to roof sheathing material
- Superior strength
- Can be powder coated to match roofing material color
- Overall dimensions: 2.25"W X 3"H X 20.74"L

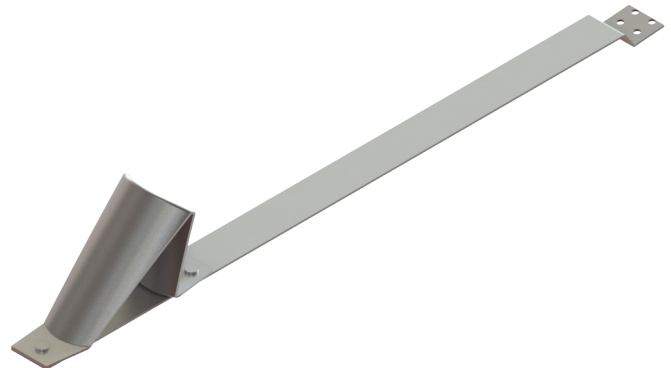
### MATERIALS

- Paintlok Steel: 16 ga
- Copper: 48 oz (ASTM B152)
- Stainless Steel: 16 ga (ASTM A240)

### COLORS/FINISHES

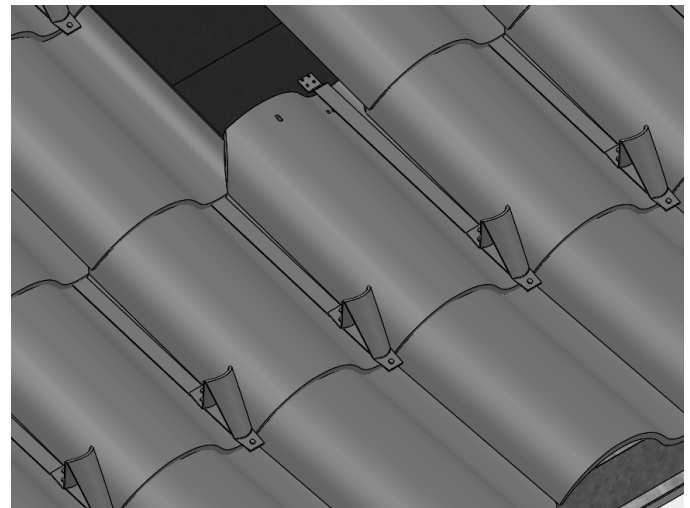
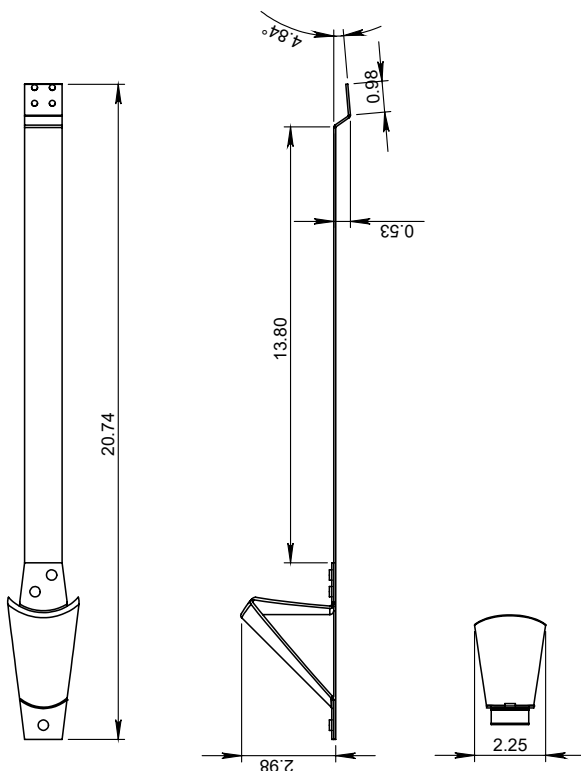
- Zinc Plated
- Powder coating available in many colors visit <http://trasnowandsun.com/color-chart/> to see color chart

**NOTE:** Due to specific job conditions, TRA Snow and Sun will only warranty a snow retention system/layout that has been designed by TRA Snow and Sun.



**FOR HIGH PROFILE TILES**

**USED ON: ITALIAN PAN, PALM BEACH,  
AND SPANISH TILE**



**INSTALLATION:**  
BRACKET IS INSTALLED WITH FOUR 2" ROOFING NAILS DIRECTLY INTO SHEATHING WITH TRIANGULAR END OF BRACKET AT EAVE END OF TILE AND UPPER END UNDER TILE IN COURSE ABOVE.

**INSTALLATION**  
DO NOT SCALE

**SNOW RETENTION SYSTEMS**

**DIMENSIONS** \*Dimensions shown are in inches.  
DO NOT SCALE