

DECK MOUNT TUBE

DESCRIPTION

- Superior strength
- Can be powder coated to match roofing material color
- Deck mount tube includes 1 Union
- Outside and Inside Diameter (see chart below)
- Thickness (see chart below)
- Length: 10'
- Weight: Varies
- Ice Flags available on new or existing tubes (optional)

MATERIALS

- Steel: (ASTM A500)
- Copper: (ASTM B152) (includes stainless steel insert)
- Stainless Steel: (ASTM A554)
- Aluminum: (B241)

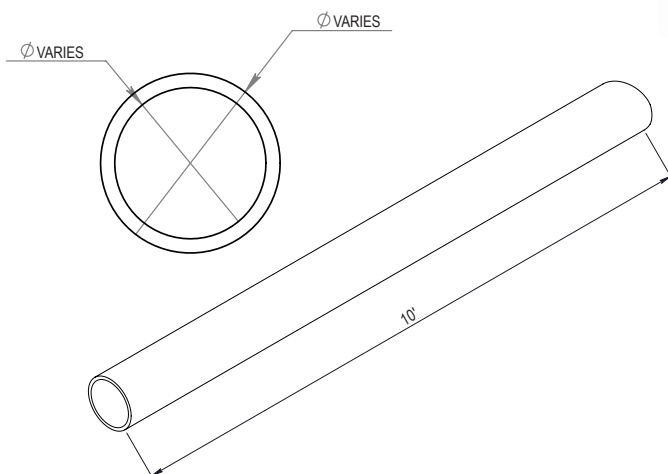
COLORS/FINISHES

- Raw steel
- Electro-galvanized steel
- Mill finish Copper
- Mill finish Aluminum
- Powder coating available in many colors visit <http://trasnowandsun.com/color-chart/> to see color chart

NOTE: Due to specific job conditions, TRA Snow and Sun will only warranty a snow retention system/layout that has been designed by TRA Snow and Sun.

MATERIAL DIMENSIONS CHART

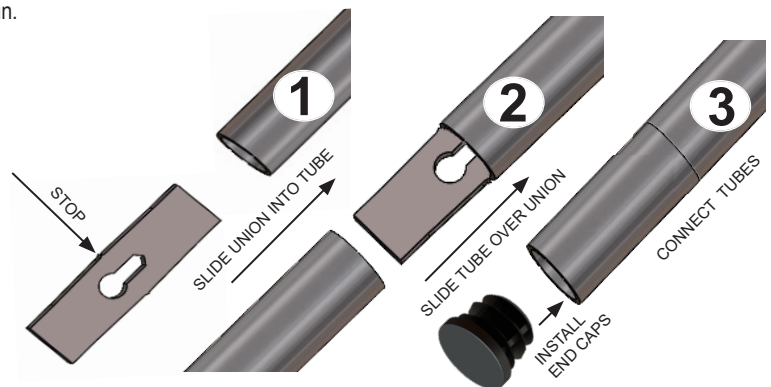
MATERIAL	OUTSIDE DIAMETER	INSIDE DIAMETER	THICKNESS
Steel	1.315"	1.149"	.083"
Copper	1"	0.9375"	.0625"
Stainless Steel	1.315"	1.049"	.133"
Aluminum	1.315"	1.049"	.133"



DIMENSIONS *Dimensions shown are in inches.
DO NOT SCALE



USED ON: DECK MOUNT SNOW FENCES



INSTALLATION:
WHEN INSTALLING A SNOW FENCE SYSTEM, A UNION IS USED TO JOIN EVERY SECTION OF TUBE TOGETHER. EVERY 10' SECTION OF TUBE HAS A UNION INSTALLED. PROCEED TO POSITION NON ARROW SIDE OF THE UNION INTO THE TUBE FIRST. USING A Mallet or HAMMER TAP UNION TO THE STOP. THEN JOIN THE OTHER SECTION OF TUBE AND CONTINUE THE PROCESS UNTIL THE END OF A RUN. AT END OF RUN, REMOVE ANY UNIONS TO INSTALL END CAPS.

* ALL ROOF PENETRATIONS THAT GO THROUGH THE UNDERLAYMENT ARE REQUIRED TO BE FLASHED OR SEALED.

INSTALLATION
DO NOT SCALE

SNOW RETENTION SYSTEMS