

CLAMP-ON TUBE

DESCRIPTION

- Superior strength
- Can be powder coated to match roofing material color
- Clamp-on tube includes 1 Union
- Outside and Inside Diameter (see chart below)
- Thickness (see chart below)
- Length: 10'
- Weight: Varies
- Ice Flaps available on new or existing tubes (optional)

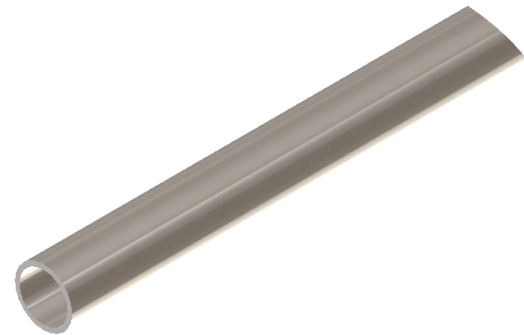
MATERIALS

- Steel: (ASTM A500)
- Copper: (ASTM B152) (includes stainless steel insert)
- Stainless Steel: (ASTM A554)
- Aluminum: (B241)

COLORS/FINISHES

- Raw steel
- Electro-galvanized steel
- Mill finish Copper
- Mill finish Aluminum
- Powder coating available in many colors visit <http://trasnowandsun.com/color-chart/> to see color chart

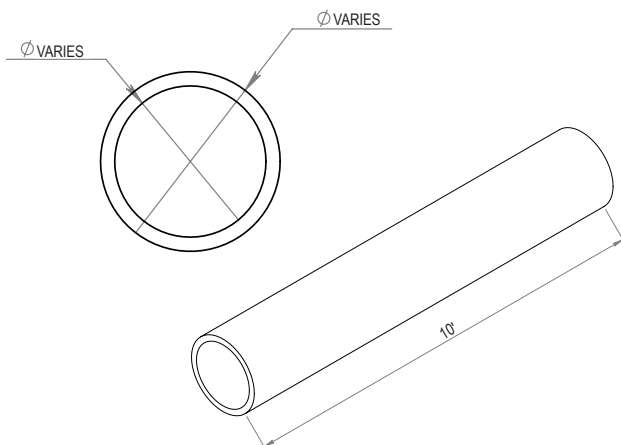
NOTE: Due to specific job conditions, TRA Snow and Sun will only warranty a snow retention system/layout that has been designed by TRA Snow and Sun.



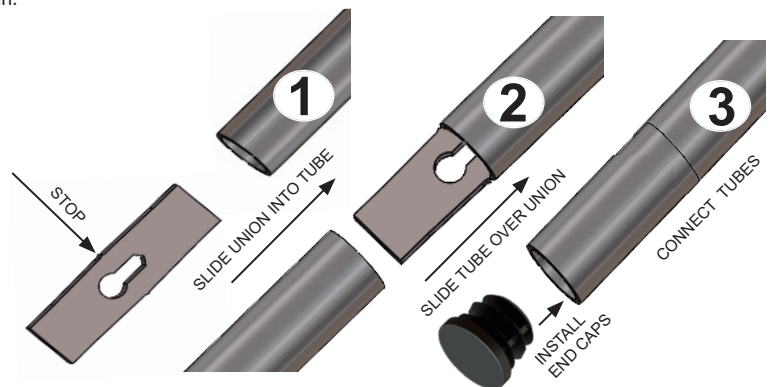
USED ON: CLAMP-ON SNOW FENCES, SNOW BLOCKERS, AND SINGLE PLYS

MATERIAL DIMENSIONS CHART

MATERIAL	OUTSIDE DIAMETER	INSIDE DIAMETER	THICKNESS
Steel	1.029"	.884"	.083"
Copper (w/ SS insert)	.88"	.81"	.05"
Stainless Steel	1.056"	.824"	.116"
Aluminum	1.0"	.75"	.125"



DIMENSIONS *Dimensions shown are in inches.
DO NOT SCALE



INSTALLATION:
WHEN INSTALLING A SNOW FENCE SYSTEM, A UNION IS USED TO JOIN EVERY SECTION OF TUBE TOGETHER. EVERY 10' SECTION OF TUBE HAS A UNION INSTALLED. PROCEED TO POSITION NON ARROW SIDE OF THE UNION INTO THE TUBE FIRST. USING A MALLET OR HAMMER TAP UNION TO THE STOP. THEN JOIN THE OTHER SECTION OF TUBE AND CONTINUE THE PROCESS UNTIL THE END OF A RUN. AT END OF RUN, REMOVE ANY UNIONS TO INSTALL END CAPS.

* ALL ROOF PENETRATIONS THAT GO THROUGH THE UNDERLAYMENT ARE REQUIRED TO BE FLASHED OR SEALED.

INSTALLATION
DO NOT SCALE

SNOW RETENTION SYSTEMS