



SNOW BRACKET™ I (CREST) - CLASSIC

DESCRIPTION

- Designed for use on corrugated metal roofs
- Bracket tail bent to match panel corrugation
- Available with standard or inverse corrugation
- Installed using (2) #14 fasteners
- Can be powder coated to match roofing material color
- Overall dimensions: 10"L X 1-3/16"W X 3" H

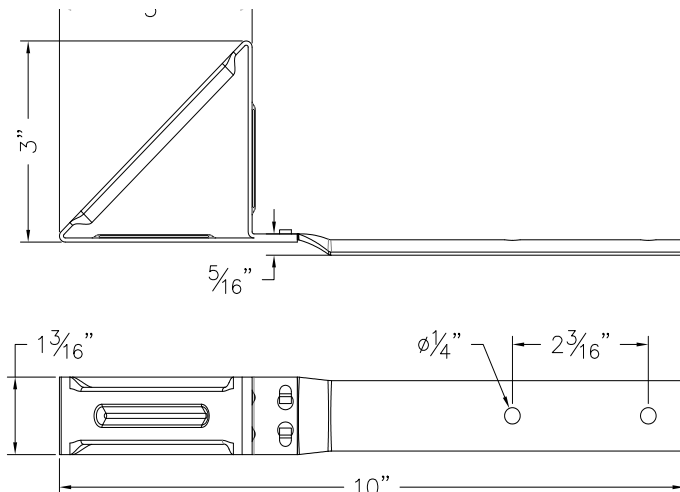
MATERIALS

- Steel :: 16 ga (ASTM A879)
- Copper :: 48 oz (ASTM B152)
- Cor-Ten® :: 16 ga (ASTM A606)
- Stainless Steel :: 16 ga (ASTM A240)
- Aluminum :: .063" (H32 - ASTM B209)

COLORS/FINISHES

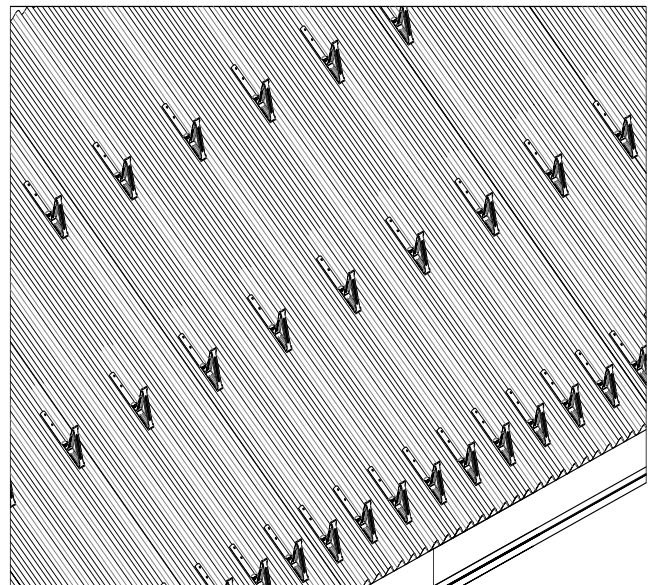
- Electro-galvanized steel
- Hot-dipped galvanized steel
- Mill finish Aluminum
- Mill finish Copper
- Mill finish Cor-Ten®
- Powder coating available in many colors visit <http://trasnowandsun.com/color-chart/> to see color chart

NOTE: Due to specific job conditions, TRA Snow and Sun will only warranty a snow retention system/layout that has been designed by TRA Snow and Sun.



FOR NEW CONSTRUCTION OR RETROFIT

USED ON: CORRUGATED METAL



Bracket installed using (2) #14 screws fastened through roof material and sheathing below. Bracket installed with triangular portion of bracket towards roof eave.

INSTALLATION
DO NOT SCALE

SNOW RETENTION SYSTEMS

DIMENSIONS *Dimensions shown are in inches.
DO NOT SCALE