



SNOW BRACKET™ C - MUSHROOM

DESCRIPTION

- Designed for new construction or retrofit applications
- Used on 7/8" Corrugated Metal Panels
- Bracket fastens to roof sheathing
- Superior strength
- Can be powder coated to match roofing material color
- Overall dimensions: 4 7/16" L X 1 1/4" W X 3" H
- Weight: 1.2 lbs. each

MATERIALS

- Steel :: 3/16" (ASTM A36)
- Copper :: 1/4" (ASTM B124)
- Cor-Ten® :: 3/16" (ASTM A588)

COLORS/FINISHES

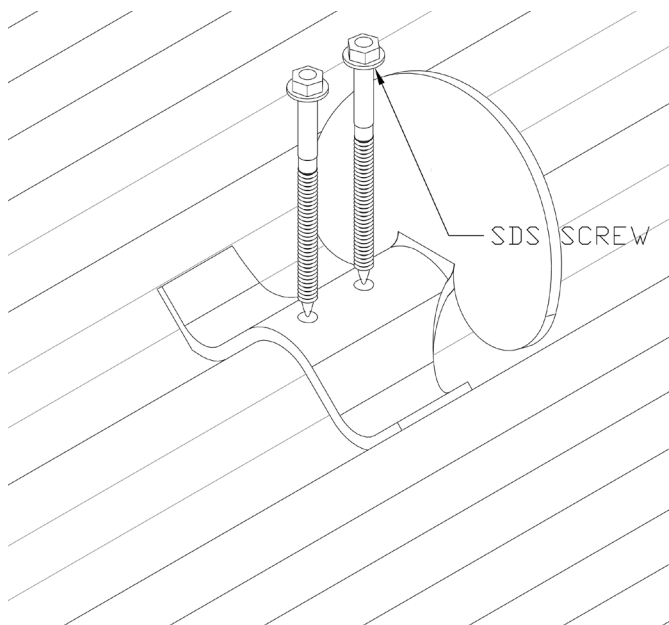
- Electro-galvanized steel
- Hot-dipped galvanized steel
- Mill finish Copper
- Mill finish Cor-Ten®
- Powder coating available in many colors visit <http://trasnowandsun.com/color-chart/> to see color chart

NOTE: Due to specific job conditions, TRA Snow and Sun will only warranty a snow retention system/layout that has been designed by TRA Snow and Sun.



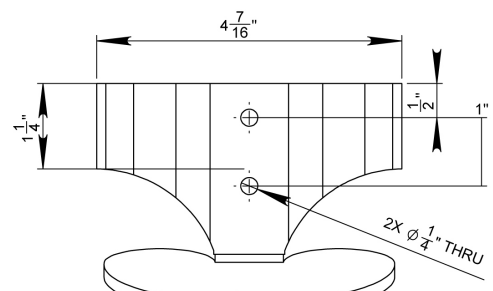
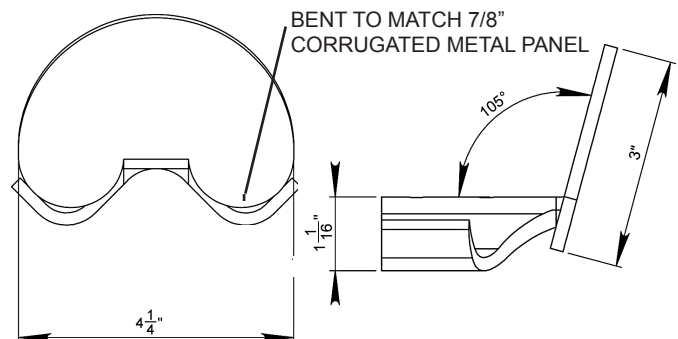
FOR NEW CONSTRUCTION OR RETROFIT

USED ON: CORRUGATED METAL PANEL



DIMENSIONS

DO NOT SCALE



INSTALLATION

DO NOT SCALE

SNOW RETENTION SYSTEMS

*Dimensions shown are in inches.