



## D2HLJ CORRUGATED DECK MOUNT

### DESCRIPTION

- Designed for corrugated metal roofs
- Accepts 1" (1.315"OD) fence tube
- Installed using (4) 3/8" Lag bolts
- Must be installed into structural roof member such as a truss or rafter beam
- All roof penetrations that go through the underlayment are required to be flashed or sealed
- Ice Flags as an option
- Powder coated to match roofing material color
- Overall dimensions: 17.36"L X 4.47"W X 8.30"H

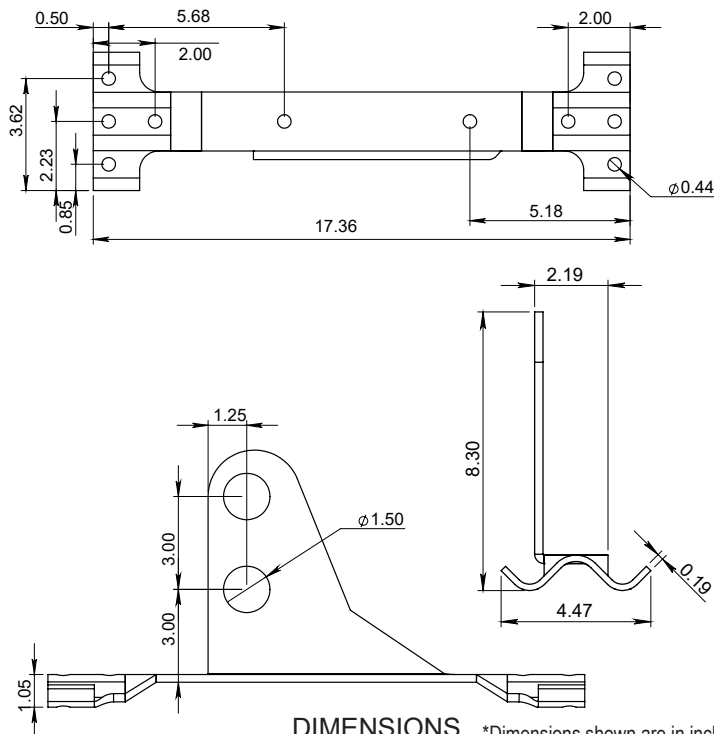
### MATERIALS

- Steel: 1/4" (ASTM A36)
- Copper: 1/4" (ASTM B152)
- Cor-Ten®: 1/4" (ASTM A588)

### COLORS/FINISHES

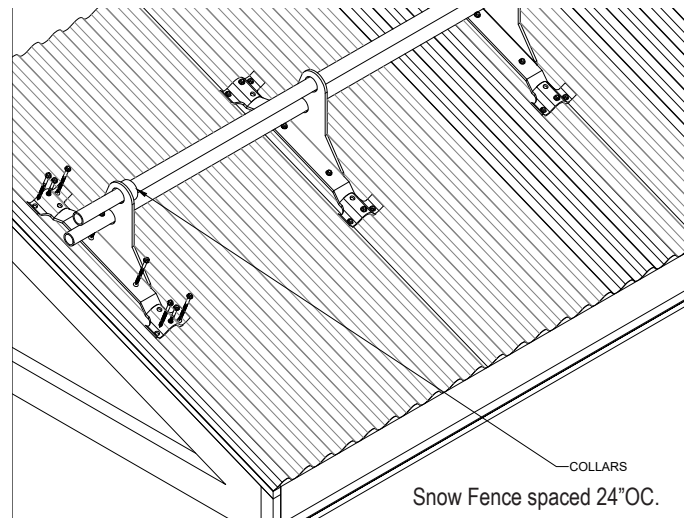
- Raw steel
- Electro-galvanized steel
- Hot-dipped galvanized steel
- Mill finish Copper
- Mill finish Cor-Ten®
- Powder coating available in many colors visit <http://trasnowandsun.com/color-chart/> to see color chart

**NOTE:** Due to specific job conditions, TRA Snow and Sun will only warranty a snow retention system/layout that has been designed by TRA Snow and Sun.



### 2 TUBE SNOW FENCE SYSTEM

### USED ON: CORRUGATED METAL ROOFS



#### INSTALLATION INSTRUCTIONS:

SNOW FENCE IS INSTALLED WITH A MINIMUM OF FOUR 3/8" x 4" LAG BOLTS SCREWED INTO RAFTERS/TRUSSES, BLOCKING OR OTHER STRUCTURAL FRAMING. LOCATE TRUSSES, POSITION SNOW FENCE HOLES DIRECTLY OVER CENTER OF TRUSS, PRE-DRILL HOLES TO A DEPTH OF 4" USING A 1/4" DRILL BIT. WE ADVISE PLACING SOME TYPE OF CAULKING OR SEALANT IN THE LOCATION OF THE HOLES BEFORE INSTALLING LAGS. FLASHINGS CAN THEN BE FABRICATED AND PLACED AT THE INSTALLERS DISCRETION.

**NOTE:** ALL ROOF PENETRATIONS THAT GO THROUGH THE UNDERLAYMENT ARE REQUIRED TO BE FLASHED OR SEALED.

#### INSTALLATION DO NOT SCALE

### SNOW RETENTION SYSTEMS