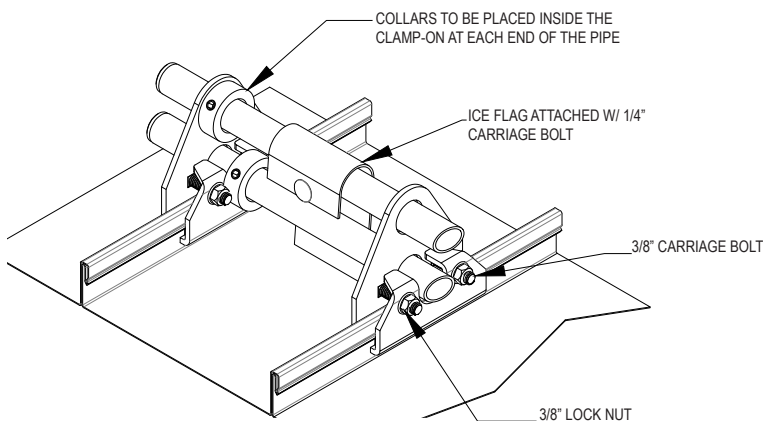
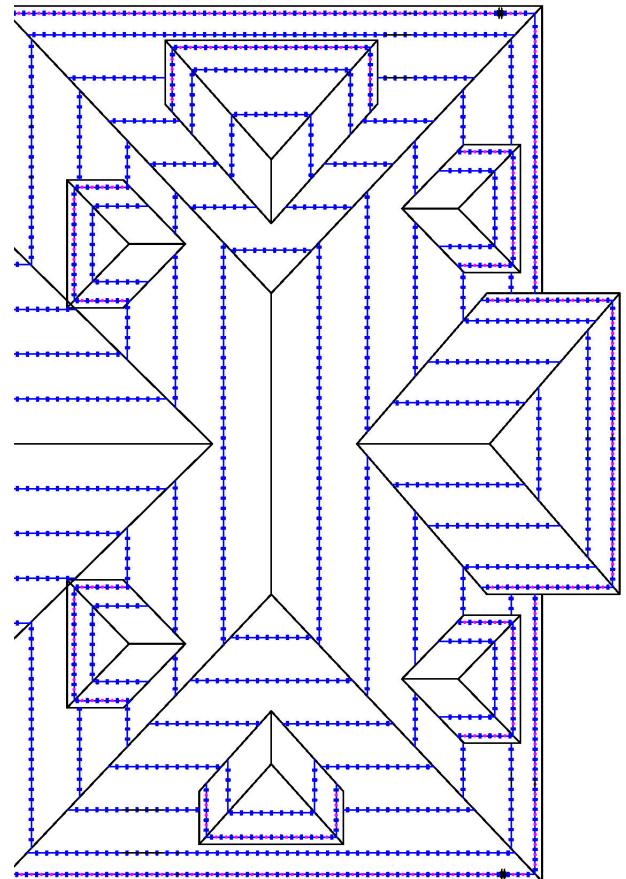


STANDING SEAM SNOW FENCE INSTALLATION GUIDE

The guidelines in this document are meant to be general rules regarding snow retention and its' applications. While these guidelines should be strictly adhered to, there may be times when it is impractical to do so or job conditions dictate that exceptions be made. In these cases, the contractor should contact the manufacturer for special instructions. **At the very minimum we strongly recommend these guidelines be followed:**

1. Drop a chalk line on roof at 1' from the eave or the proper spacing from last fence.
2. Count the number of clamps to be used on one length of fence pipe and slide clamps on to pipe.
3. If at start or end of a fence section (max 50') place collar(s) on the inside of the first/last clamp.
4. Position clamps on chalk line ensuring the teeth of the clamp are on the open side of the seam. (The teeth should fit under the hem)
5. Locate clamps on the seams and tighten the clamps just enough to prevent movement.
6. Ensure the clamps are true to the chalk line (adjust if necessary) and using a calibrated torque wrench torque all bolts to 30 ft-lbs.
7. Slide the collar to fit snug against the first or last clamp and torque set screw to approximately 15 ft-lbs.
8. If snow fence run is longer than 50', an expansion gap is required of 3-6 inches.
9. Upon terminating if necessary, cut off access pipe and seal cut end with weather proof sealant to prevent corrosion.
10. Install end caps into pipe ends, caps should compression fit inside ends, tap with a hammer and remove any metal burrs or excess paint with metal file if necessary.



CLAMP THE SNOW FENCE TO THE RIB BY USING A TORQUE WRENCH WITH 30 FT-LBS. OF PRESSURE APPLIED TO EACH BOLT. FOR SPECIFIC ENGINEERING & PLACEMENT CALL TRA SNOW & SUN at (801)756-8666.

Tools Needed:

Tape Measure
Chalk Line
9/16" Socket (possible deep throat)
Torque Wrench (calibrated to 30 ft-lbs.)
Allen Wrench Set
Hammer
Round Metal File (optional)

Standing Seam Snow Fence Maintenance:

All snow retention devices should be checked as part of a yearly roof inspection by an experienced roofer or snow guard installer. Any defects in materials and workmanship should be reported to the manufacturer immediately. Once every year perform visual inspection. Once every two years, check torque of the snow fence carriage bolts and locking nuts, making sure 30 ft-lbs. of torque is still applied. For more information go to www.trasnowandsun.com