



## SNOW DIAMOND CLAMP-ON -1 RAIL

### DESCRIPTION

- Designed for standing seam metal roofs
- Available for rib types including: Double Lock, Single Lock, Snap Lock, Skyline, etc
- Accepts 3/4" X 3/4" square tubing
- Allows for full installation without penetration of the roof surface
- Powder coated to match roofing material color
- Overall dimensions: 2.67"L X VAR"W X VAR"H
- Height (HT) of clamp varies based on rib type and height
- 3/8" Dia X 1-3/4" or 2" carriage bolt (2)

### MATERIALS

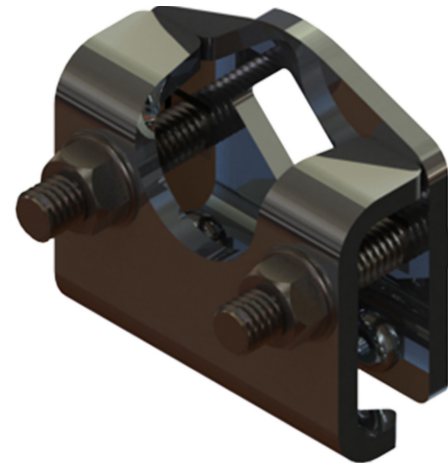
- Steel: 3/16" (ASTM A36)
- Stainless Steel: .165" (ASTM A666-03)

### COLORS/FINISHES

- Electro-galvanized steel
- Hot-dipped galvanized steel
- Mill finish Stainless Steel
- Powder coating available in many colors visit <http://trasnowandsun.com/color-chart/> to see color chart

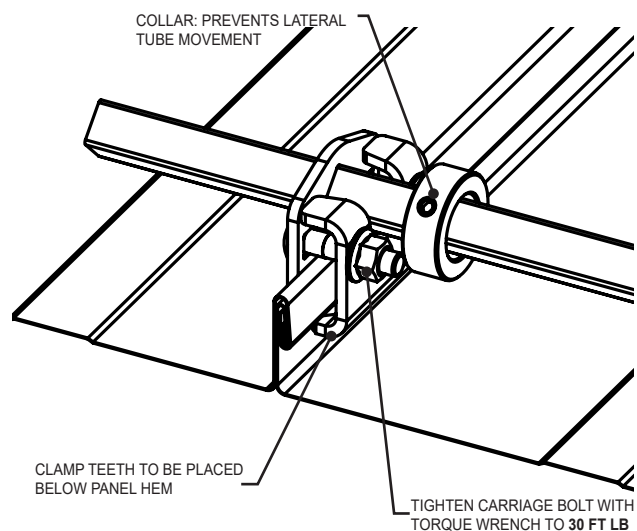
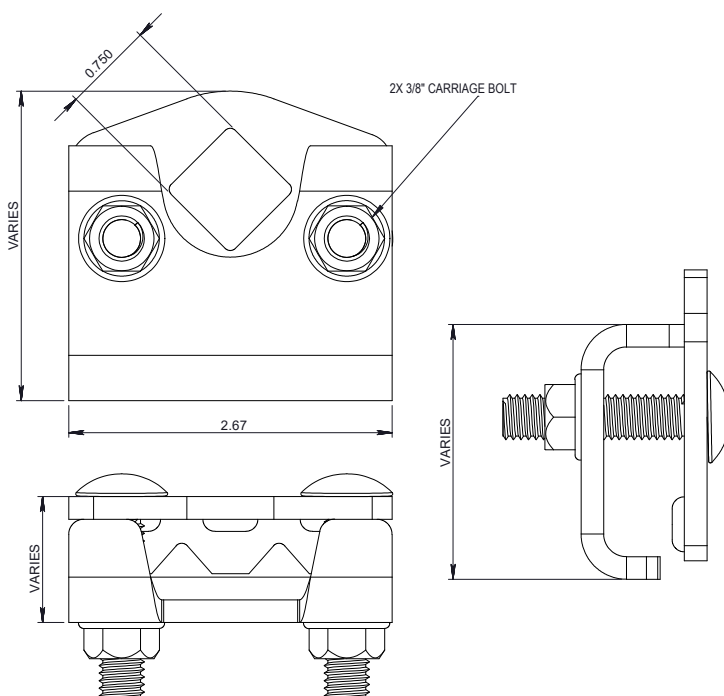
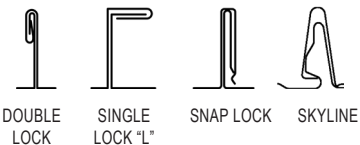
**NOTE:** Due to specific job conditions, TRA Snow and Sun will only warranty a snow retention system/layout that has been designed by TRA Snow and Sun.

\* These dimensions vary based on the panel rib type and height.



### 1 RAIL CLAMP-ON SNOW FENCE SYSTEM

### USED ON: STANDING SEAM METAL



**INSTALLATION:**  
CLAMP THE SNOW FENCE TO THE RIB BY USING A TORQUE WRENCH WITH 30 FT - LBS. OF PRESSURE APPLIED TO EACH BOLT.

**INSTALLATION**  
DO NOT SCALE

**DIMENSIONS** \*Dimensions shown are in inches.  
DO NOT SCALE