



CLAMP-ON MUSHROOM

DESCRIPTION

- Designed for standing seam metal roofs
- Available for rib types including: Double Lock, Single Lock, Snap Lock, Skyline
- Allows for full installation without penetration of the roof surface
- Powder coated to match roofing material color
- Overall dimensions: 4.68"L X 6.13"W X VAR"H
- Height (HT) of clamp varies based on rib type and height
- 3/8" Dia X 1-3/4" or 2" carriage bolt (2)

MATERIALS

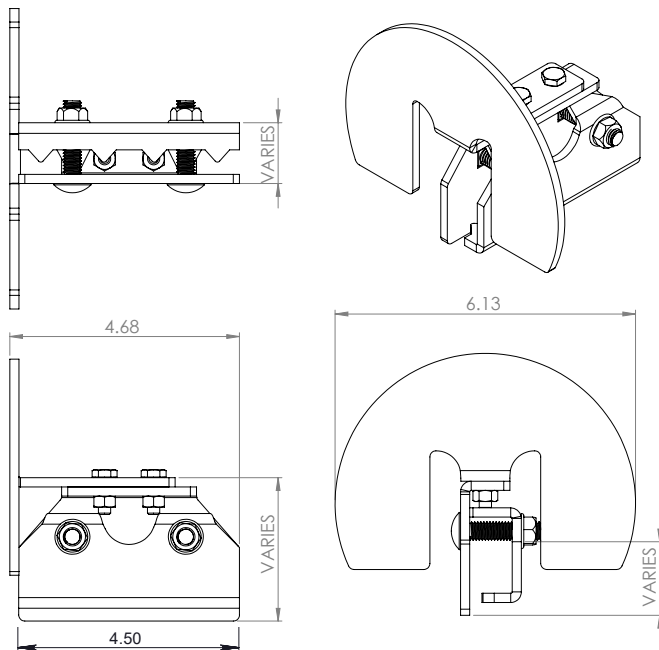
- Steel: 3/16" (ASTM A36)
- Copper: 1/4" (ASTM B152)
- Aluminum: 1/4" (ASTM B209)
- Cor-Ten®: 3/16" (ASTM A588)

COLORS/FINISHES

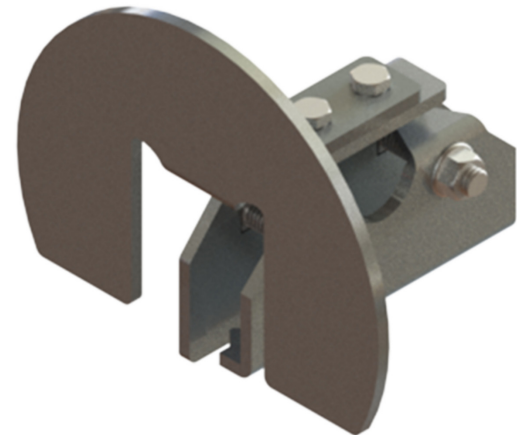
- Raw Steel
- Electro-Galvanized Steel
- Hot-Dipped Galvanized Steel
- Mill Finish Aluminum
- Mill Finish Copper
- Mill Finish Cor-Ten®
- Powder coating available in many colors visit <http://trasnowandsun.com/color-chart/> to see color chart

NOTE: Due to specific job conditions, TRA Snow and Sun will only warranty a snow retention system/layout that has been designed by TRA Snow and Sun.

* These dimensions vary based on the panel rib type and height.

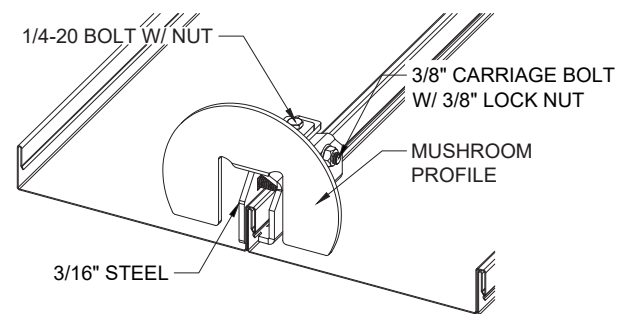
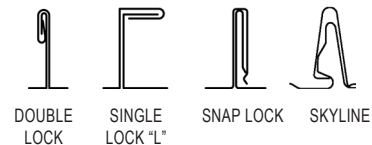


DIMENSIONS *Dimensions shown are in inches.
DO NOT SCALE



FOR NEW CONSTRUCTION AND RETROFIT

USED ON: STANDING SEAM METAL



CLAMP THE SNOW BRACKET TO THE RIB BY USING A TORQUE WRENCH WITH 30 FT - LBS. OF PRESSURE APPLIED TO EACH BOLT. FOR SPECIFIC ENGINEERING AND PLACEMENT CALL TRA SNOW AND SUN (800)606-8980.

INSTALLATION DO NOT SCALE

SNOW RETENTION SYSTEMS