



SNOW BRACKET™ G - APEX

DESCRIPTION

- Available in 2 lengths: 9-1/2" & 11-1/2"
- Length 9-1/2" designed for any new or retrofit roof with at least a horizontal exposure equal to bracket
- Length 11-1/2" designed for any new or retrofit roof with at least a horizontal exposure equal to bracket
- Includes a fastener cover clip
- Can be powder coated to match roofing material color
- Overall dimensions: VAR L X 1-3/16"W X 3" H

MATERIALS

- Paintlok Steel: 16 ga
- Copper: 48 oz (ASTM B152)
- Stainless Steel: 16 ga (ASTM A240)

COLORS/FINISHES

- Zinc Plated
- Powder coating available in many colors visit <http://trasnowandsun.com/color-chart/> to see color chart

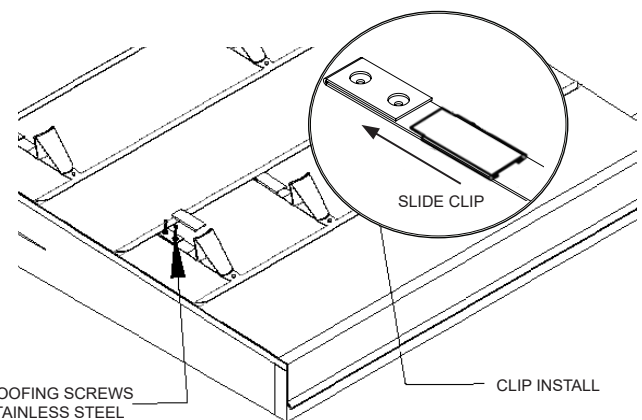
NOTE: Due to specific job conditions, TRA Snow and Sun will only warranty a snow retention system/layout that has been designed by TRA Snow and Sun.



FOR NEW CONSTRUCTION OR RETROFIT

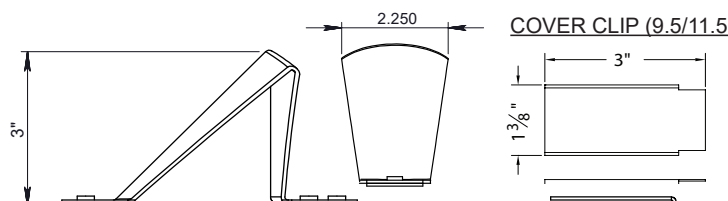
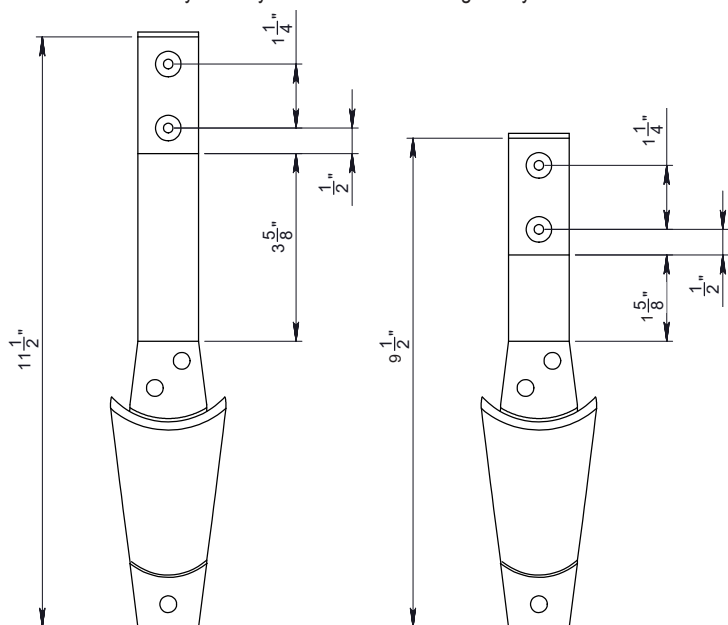
USED ON: ANY 9-1/2" OR 11-1/2" DISTANCE IN ROOFING EXPOSURE

BRACKET	APPLICATION	Length (X)
G-9.5	To any 9-1/2" distance in roofing exposure	9-1/2"
G-11.5	To any 11-1/2" distance in roofing exposure	11-1/2"



(2) ROOFING SCREWS
#8 STAINLESS STEEL

CLIP INSTALL



INSTALLATION:

Pre-drill holes through the existing holes in the bracket and into the roofing and sheathing. Apply caulking along the underside of the snow bracket and in the pre-drilled holes for sealant. Then, install (2) roofing (#8) stainless steel screws through the snow bracket into the pre-drilled holes. Last, install cover clip and slide beneath the metal seam.

INSTALLATION DO NOT SCALE

SNOW RETENTION SYSTEMS

DIMENSIONS *Dimensions shown are in inches.
DO NOT SCALE