



C23Z CLAMP-ON

DESCRIPTION

- Designed for standing seam metal roofs
- Available for rib types including: Double Lock, Single Lock, Snap Lock, Skyline, etc
- Accepts 3/4" fence tube
- Allows for full installation without any penetration of the roof surface
- Powder coated to match roofing material color
- Overall dimensions: 4.50"L X VAR"W X 4.73"H
- Height of clamp varies based on rib type and height
- 3/8" Dia X 1-3/4" or 2" carriage bolt (2)

MATERIALS

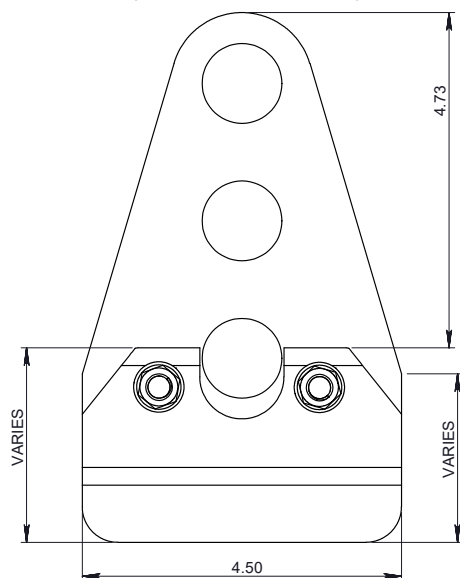
- Steel: 3/16" (ASTM A36)
- Copper: 1/4" (ASTM B152)
- Aluminum: 1/4" (ASTM B209)
- Cor-Ten®: 3/16" (ASTM A588)
- Stainless Steel: 8ga. (ASTM A240)

COLORS/FINISHES

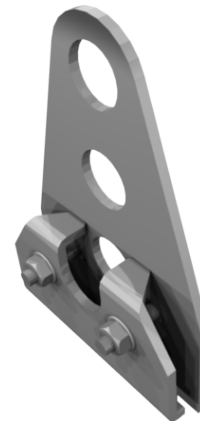
- Raw steel
- Electro-galvanized steel
- Hot-dipped galvanized steel
- Mill finish Aluminum
- Mill finish Copper
- Mill finish Cor-Ten®
- Stainless Steel
- Powder coating available in many colors visit <http://trasnowandsun.com/color-chart/> to see color chart

NOTE: Due to specific job conditions, TRA Snow and Sun will only warranty a snow retention system/layout that has been designed by TRA Snow and Sun.

* These dimensions vary based on the panel rib type and height.

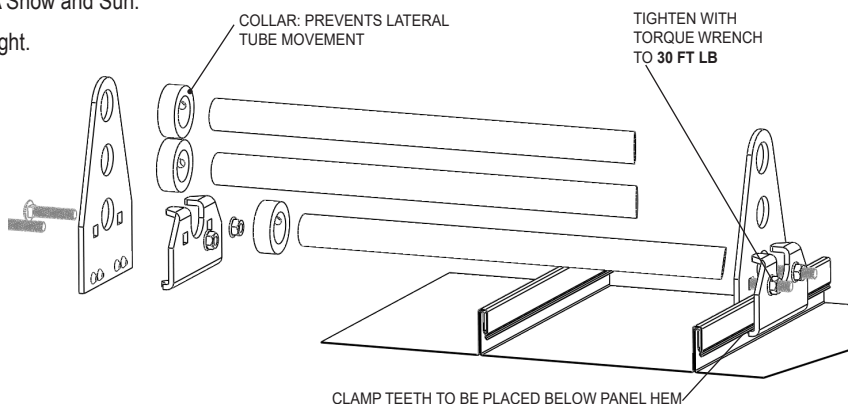
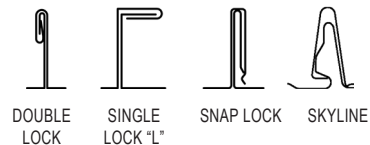


DIMENSIONS *Dimensions shown are in inches.
DO NOT SCALE



3 RAIL STANDING SEAM SNOW FENCE

USED ON: STANDING SEAM METAL



INSTALLATION:
CLAMP THE SNOW FENCE TO THE RIB BY USING A TORQUE WRENCH WITH 30 FT - LBS. OF PRESSURE APPLIED TO EACH BOLT.

INSTALLATION
DO NOT SCALE

SNOW RETENTION SYSTEMS