



**TRA SNOW & SUN**  
ROOF ACCESSORY SYSTEMS

Questions? Call Us!  
+1 (800)-606-8980

www.trasnowandsun.com

07 72 53

RIDGE RISER™

## RIDGE RISER™

### PRODUCT HIGHLIGHTS

- Used on: Concrete & Clay Tile Roofs
- Elevates the ridge tile to enhance ridge ventilation
- Made from Galvanized Steel or Copper
- Fits All Tile Profiles
- Adjustable Legs for Required Heights
- Great for Flat, Mid, or High Profiles
- Reduce Lumber Costs
- Made in the USA



## ELEVATED VENTILATION

RIDGE RISERS ARE USED TO HELP VENTILATE THE ROOF AND PROVIDE AN EASY ATTACHMENT METHOD FOR RIDGE TILES



## Ridge Riser™

Elevates the ridge tile to enhance ridge ventilation.

- Fits all tile profiles
- Reduce lumber costs
- Eliminate multiple sizes of ridge boards



Engineered Snow Retention and Solar Mounting Solutions



## RIDGE RISER®

### DESCRIPTION

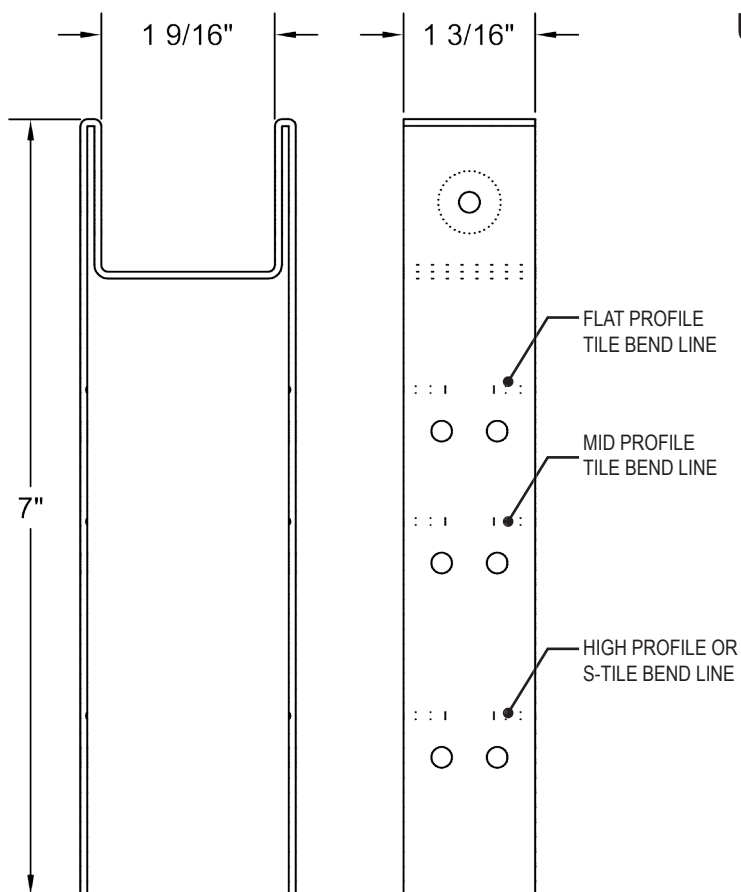
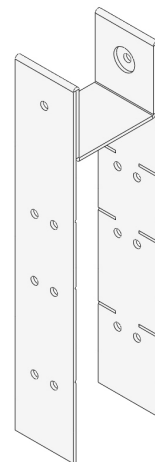
- Designed for concrete or clay tile roofs
- Pre-scored bend lines for adjustable height and slope
- Accepts 2" X 2" nominal nailer board
- Overall dimensions: 1-3/16"L X 1-15/16" W X 7" H

### MATERIALS

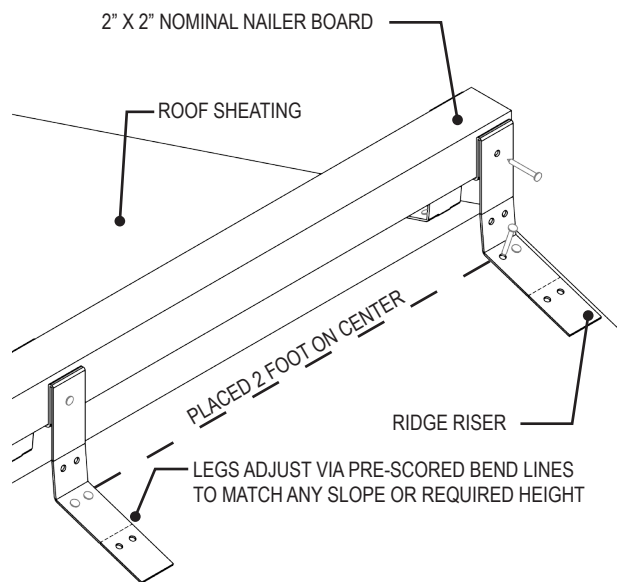
- Galvanized Steel: 16 ga.
- Stainless Steel: 16 ga.

### COLORS/FINISHES

- Galvanized Steel
- Stainless Steel



### USED ON: CONCRETE & CLAY TILE ROOFS



**INSTALLATION:**  
RIDGE RISERS ARE PLACED 2 FOOT ON CENTER WITH 6 OR MORE ROOFING NAILS OR SCREWS DIRECTLY INTO PREFERRED TRUSS OR SHEATHING (DEPENDING ON PROFILE USED). SCREWS ARE TO BE USED IF ATTACHING TO SHEATHING ONLY.

**INSTALLATION**  
DO NOT SCALE

\*DIMENSIONS SHOWN ARE IN INCHES

**DIMENSIONS**  
DO NOT SCALE

**VENTILATION AND FLASHING SYSTEMS**