



## SNOW BRACKET H - APEX

### DESCRIPTION

- Installed using (2) screws that must penetrate the sheathing
- Designed for almost all roof types
- Can be powder coated to match roofing material color
- Overall dimensions: 5.588" L X 2 1/4" W X 3" H

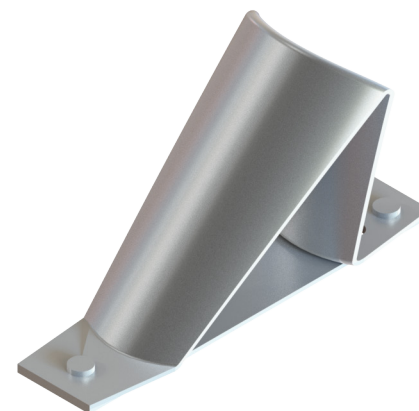
### MATERIALS

- Paintlok Steel: 16 ga
- Copper: 48 oz (ASTM B152)
- Stainless Steel: 16 ga (ASTM A240)

### COLORS/FINISHES

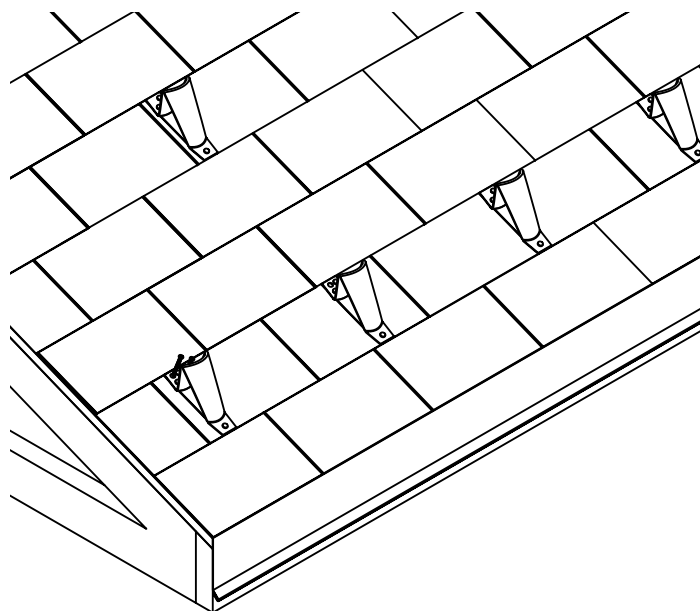
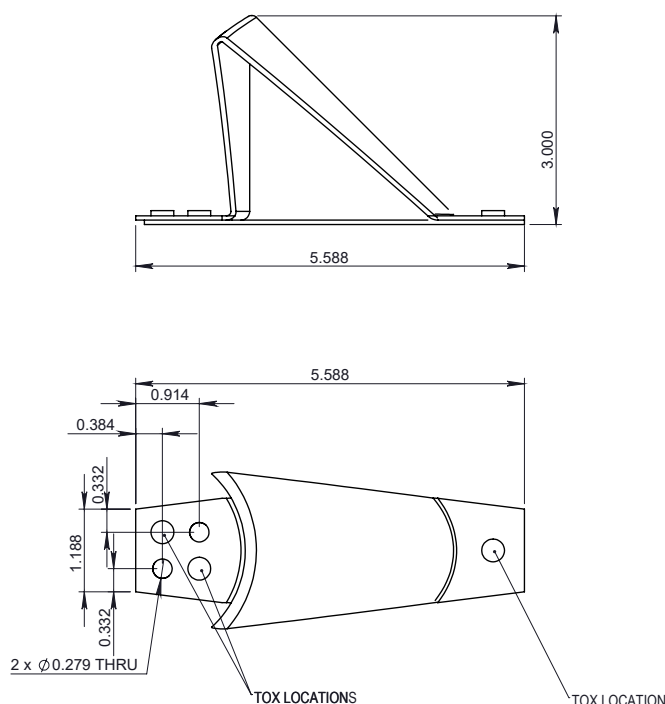
- Zinc Plated
- Powder coating available in many colors visit <http://trasnowandsun.com/color-chart/> to see color chart

**NOTE:** Due to specific job conditions, TRA Snow and Sun will only warranty a snow retention system/layout that has been designed by TRA Snow and Sun.



**FOR NEW CONSTRUCTION OR RETROFIT**

**USED ON: ALMOST ALL ROOF TYPES**



**INSTALLATION:**  
BRACKET IS INSTALLED WITH TWO 2-1/2" SCREWS WITH TRIANGULAR END OF BRACKET AT EAVE END OF ASPHALT SHINGLE.

**INSTALLATION**  
DO NOT SCALE

**SNOW RETENTION SYSTEMS**

**DIMENSIONS** \*Dimensions shown are in inches.  
DO NOT SCALE