



## SNOW BRACKET™ B - CLASSIC

### DESCRIPTION

- Designed for use with concrete tiles 15" in length which are installed using horizontal battens
- No fasteners required
- Can be powder coated to match roofing material color
- Overall dimensions: 16-13/16"L X 1-3/16"W X 4-5/8" H

### MATERIALS

- Paintlok Steel: 16 ga
- Copper: 48 oz (ASTM B152)
- Stainless Steel: 16 ga (ASTM A240)

### COLORS/FINISHES

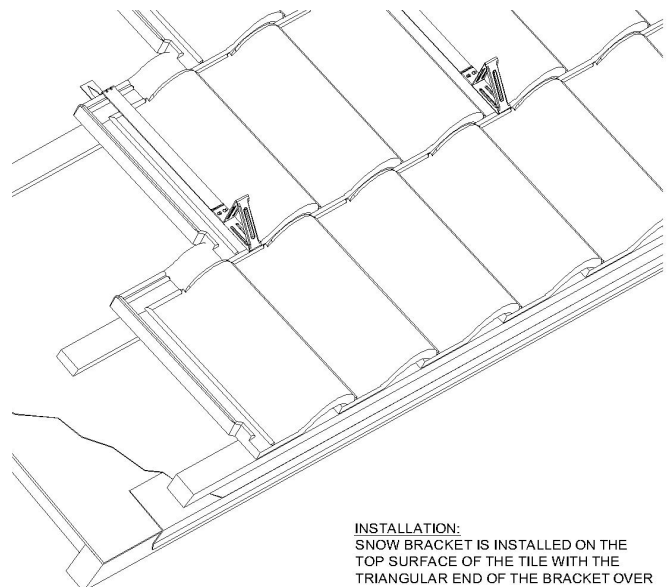
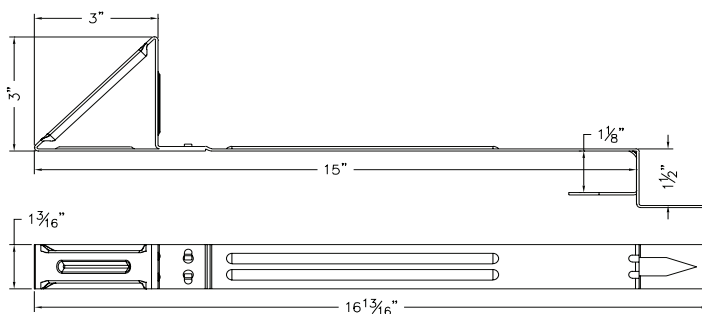
- Zinc Plated
- Powder coating available in many colors visit <http://trasnowandsun.com/color-chart/> to see color chart

**NOTE:** Due to specific job conditions, TRA Snow and Sun will only warranty a snow retention system/layout that has been designed by TRA Snow and Sun.



### FOR NEW CONSTRUCTION OR RETROFIT

### USED ON: BARTILE, VANDEHEY AND OTHER SIMILAR TILES



**SNOW BRACKET 'B'  
S TILE ROOF**

**INSTALLATION:**  
SNOW BRACKET IS INSTALLED ON THE TOP SURFACE OF THE TILE WITH THE TRIANGULAR END OF THE BRACKET OVER THE HEADLAP OF THE TILE AND THE SPIKE INSTALLED INTO 1 X 2 BATTEN.

**INSTALLATION**  
DO NOT SCALE

**SNOW RETENTION SYSTEMS**

**DIMENSIONS** \*Dimensions shown are in inches.  
DO NOT SCALE