



## SNOW BRACKET™ B - APEX

### DESCRIPTION

- Designed for use with concrete or clay tiles 15" in length which are installed using horizontal battens
- (1) 10 D galvanized nail fastener required and purchased separately
- Can be powder coated to match roofing material color
- Overall dimensions: 14 9/16" L X 2 1/4" W X 3" H

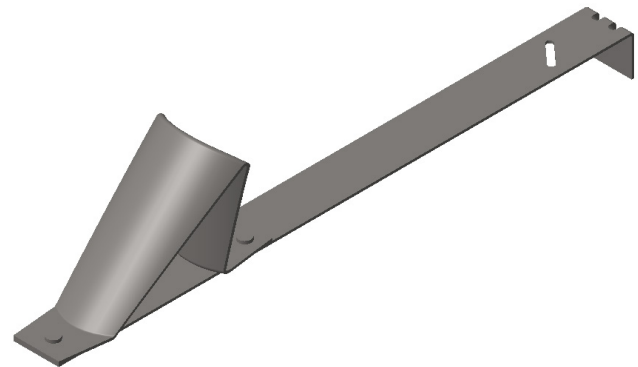
### MATERIALS

- Paintlok Steel: 16 ga
- Copper: 48 oz (ASTM B152)
- Stainless Steel: 16 ga (ASTM A240)

### COLORS/FINISHES

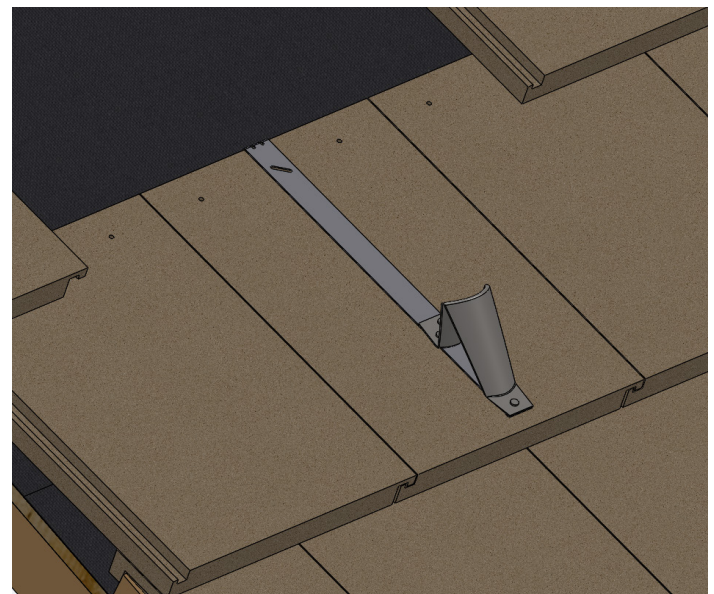
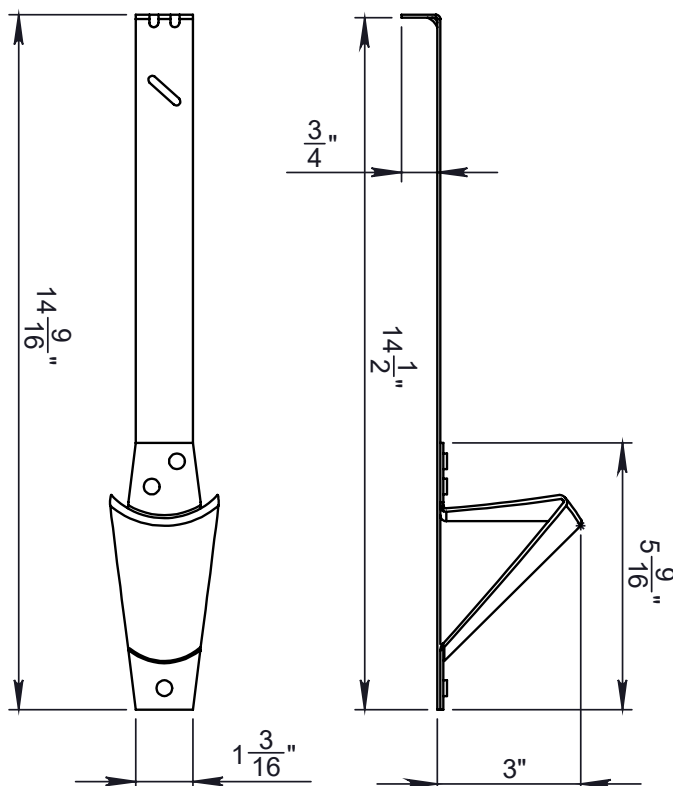
- Zinc Plated
- Powder coating available in many colors visit <http://trasnowandsun.com/color-chart/> to see color chart

**NOTE:** Due to specific job conditions, TRA Snow and Sun will only warranty a snow retention system/layout that has been designed by TRA Snow and Sun.



**FOR NEW CONSTRUCTION OR RETROFIT**

**USED ON: BARTILE, VANDE HEY RAILEIGH AND OTHER SIMILAR TILES**



**INSTALLATION:**  
SNOW BRACKET IS INSTALLED WITH (1) 10 D GALVANIZED NAIL ON THE TOP SURFACE OF THE TILE WITH THE TRIANGULAR END OF THE BRACKET OVER THE HEADLAP OF THE TILE.

**INSTALLATION**  
DO NOT SCALE

**SNOW RETENTION SYSTEMS**

**DIMENSIONS** \*Dimensions shown are in inches.  
DO NOT SCALE