



SNOW BRACKET™ A - APEX

DESCRIPTION

- Designed for use with concrete or clay tiles which are installed using horizontal battens
- (1) 10 D galvanized nail fastener required and purchased separately
- Can be powder coated to match roofing material color
- Overall dimensions: 16 1/4" L X 2 1/4" W X 3 3/4" H

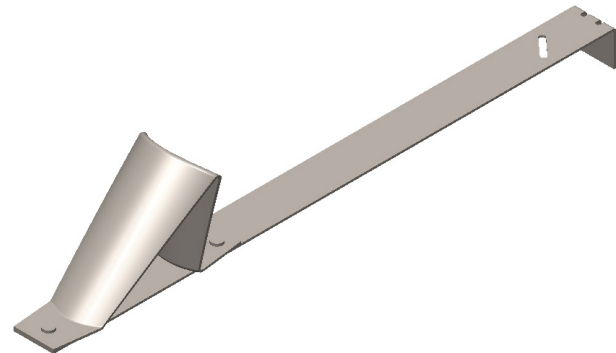
MATERIALS

- Paintlok Steel: 16 ga
- Copper: 48 oz (ASTM B152)
- Stainless Steel: 16 ga (ASTM A240)

COLORS/FINISHES

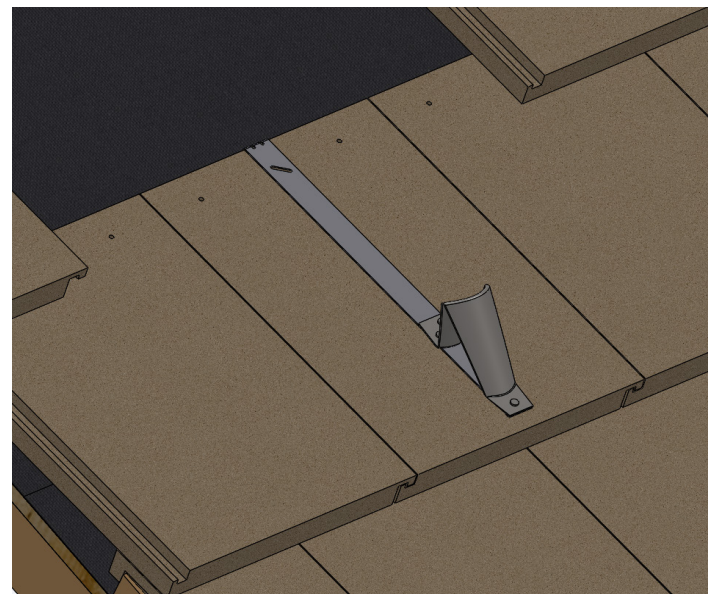
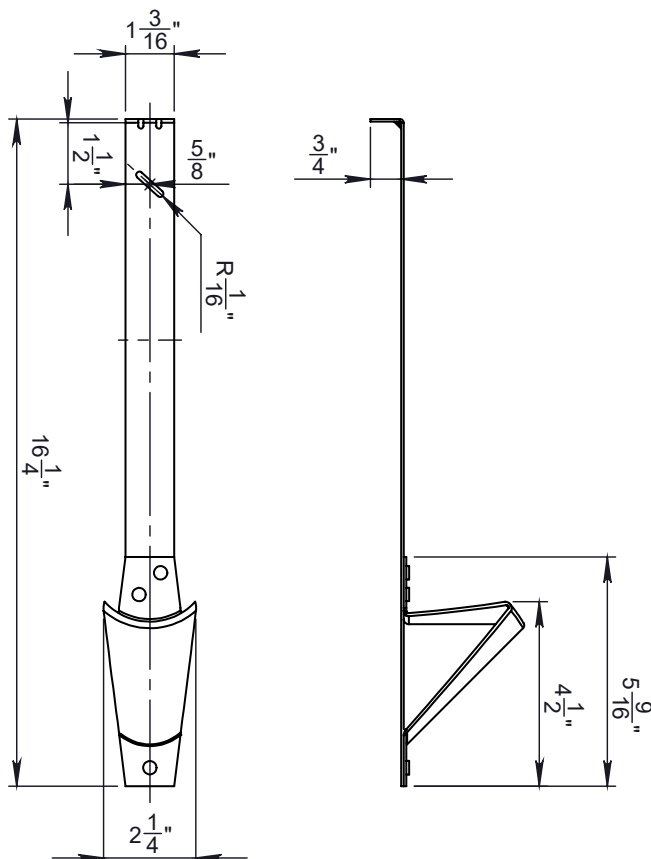
- Zinc Plated
- Powder coating available in many colors visit <http://trasnowandsun.com/color-chart/> to see color chart

NOTE: Due to specific job conditions, TRA Snow and Sun will only warranty a snow retention system/layout that has been designed by TRA Snow and Sun.



FOR NEW CONSTRUCTION OR RETROFIT

**USED ON: EAGLE, BORAL,
HANSON AND OTHER SIMILAR TILES**



INSTALLATION:
SNOW BRACKET IS INSTALLED WITH (1) 10 D GALVANIZED NAIL ON THE TOP SURFACE OF THE TILE WITH THE TRIANGULAR END OF THE BRACKET OVER THE HEADLAP OF THE TILE.

INSTALLATION
DO NOT SCALE

DIMENSIONS *Dimensions shown are in inches.
DO NOT SCALE