



D2HL CORRUGATED DECK MOUNT

DESCRIPTION

- Designed for corrugated metal roofs
- Accepts 1" (1.315"OD) fence pipe
- Installed using (4) 3/8" Lag bolts
- Must be installed into structural roof member such as a truss or rafter beam
- All roof penetrations that go through the underlayment are required to be flashed or sealed
- Ice Flags as an option
- Powder coated to match roofing material color
- Overall dimensions: 8"L X 1 5/8"W X 8 1/16"H

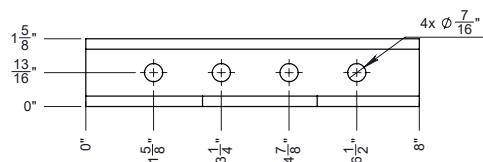
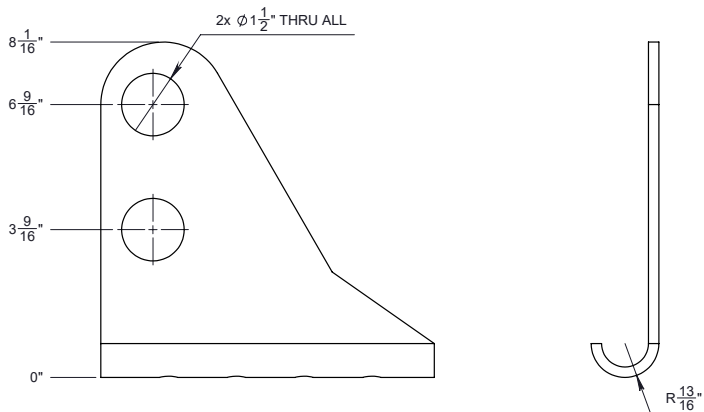
MATERIALS

- Steel: 1/4" (ASTM A1011 & ASTM A880)
- Copper: 1/4" (ASTM B152)
- Cor-Ten®: 1/4" (ASTM A588)

COLORS/FINISHES

- Raw steel
- Electro-galvanized steel
- Hot-dipped galvanized steel
- Mill finish Copper
- Mill finish Cor-Ten®
- Powder coating available in many colors visit <http://trasnowandsun.com/color-chart/> to see color chart

NOTE: Due to specific job conditions, TRA Snow and Sun will only warranty a snow retention system/layout that has been designed by TRA Snow and Sun.

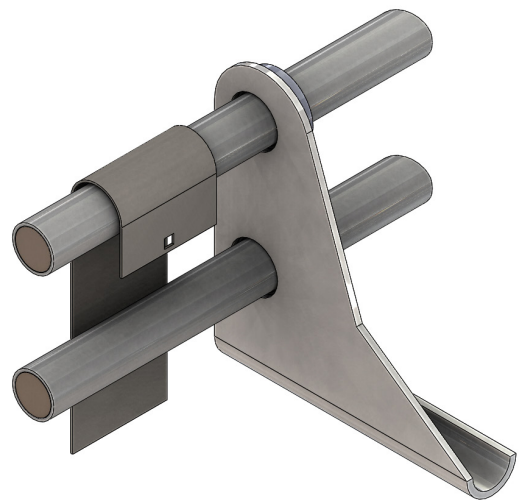


DIMENSIONS *Dimensions shown are in inches.
DO NOT SCALE



2 PIPE SNOW FENCE SYSTEM

USED ON: CORRUGATED METAL ROOFS



Snow Fence is installed with (4) 3/8"x 4" Lag bolts screwed into rafters/trusses, blocking or other structural framing. Locate trusses, position snow fence holes directly over center of truss, pre-drill holes to a depth of 4" using a 1/2" drill bit. We advice placing some type of caulking or sealant in the location of the holes before installing lags, flashings can then be fabricated and placed at the installers discretion.

* ALL ROOF PENETRATIONS THAT GO THROUGH THE UNDERLAYMENT ARE REQUIRED TO BE FLASHED OR SEALED.

INSTALLATION DO NOT SCALE

SNOW RETENTION SYSTEMS