



SNOW BRACKET D - APEX

DESCRIPTION

- Designed for new construction on simulated shake, simulated slate and asphalt shingles
- Installed using a minimum of (4) roofing nails that must penetrate the sheathing or by using (4) #8 stainless steel screws
- Can be powder coated to match roofing material color
- Overall dimensions: 12"L X 2.250"W X 3"H

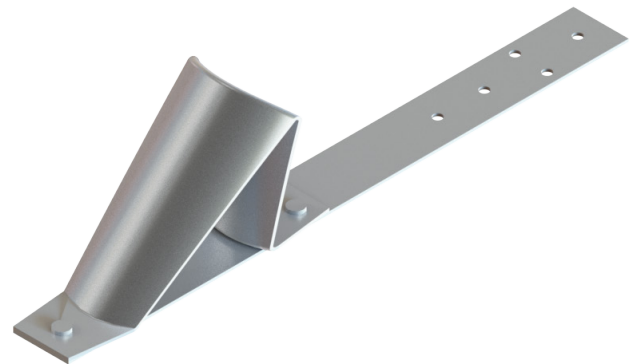
MATERIALS

- Paintlok Steel: 16 ga
- Copper: 48 oz (ASTM B152)
- Stainless Steel: 16 ga (ASTM A240)

COLORS/FINISHES

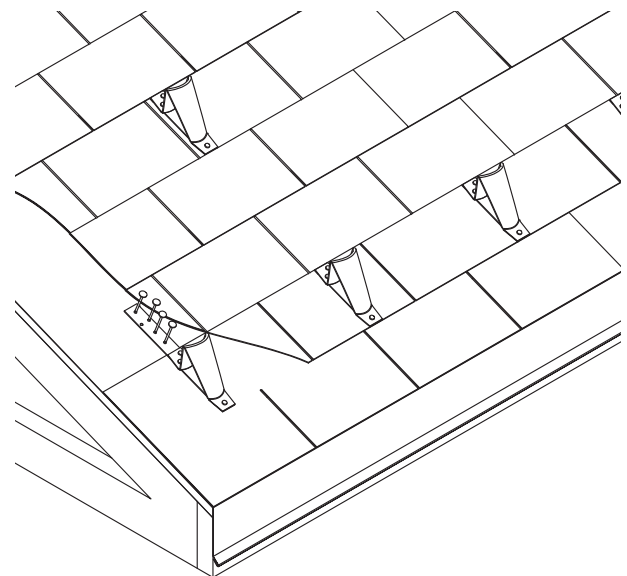
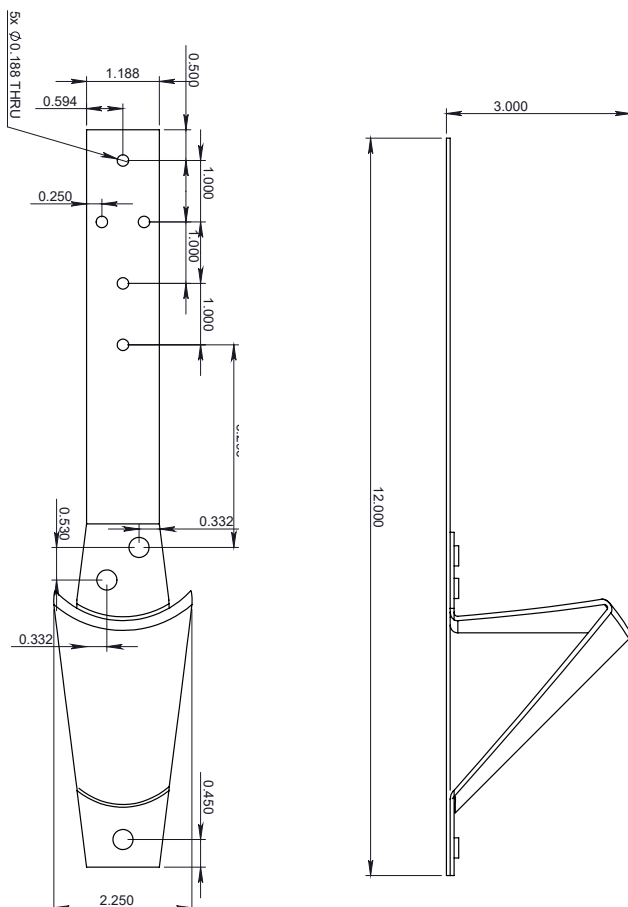
- Zinc Plated
- Powder coating available in many colors visit <http://trasnowandsun.com/color-chart/> to see color chart

NOTE: Due to specific job conditions, TRA Snow and Sun will only warranty a snow retention system/layout that has been designed by TRA Snow and Sun.



FOR NEW CONSTRUCTION

USED ON: SIMULATED SHAKE, SIMULATED SLATE AND ASPHALT SHINGLES



INSTALLATION:
BRACKET IS INSTALLED WITH FOUR ROOFING NAILS THAT MUST PENETRATE THE SHEATHING OR BY USING FOUR # 8 STAINLESS STEEL SCREWS WITH TRIANGULAR END OF BRACKET AT EAVE END OF ASPHALT SHINGLE AND UPPER END UNDER SHINGLE IN COURSE ABOVE.

INSTALLATION
DO NOT SCALE

DIMENSIONS *Dimensions shown are in inches.
DO NOT SCALE