



SNOW BRACKET™ S

DESCRIPTION

- Designed for use with Asphalt shingles, Cedar Shingles, Slate, Simulated Slate, and Wood Shakes
- Powder coated to match roofing material color
- Overall dimensions: 16" L X 3" W X 4" H

MATERIALS

- Paintlok Steel: 16 ga
- Copper: 48 oz (ASTM B152)
- Stainless Steel: 16 ga (ASTM A240)

COLORS/FINISHES

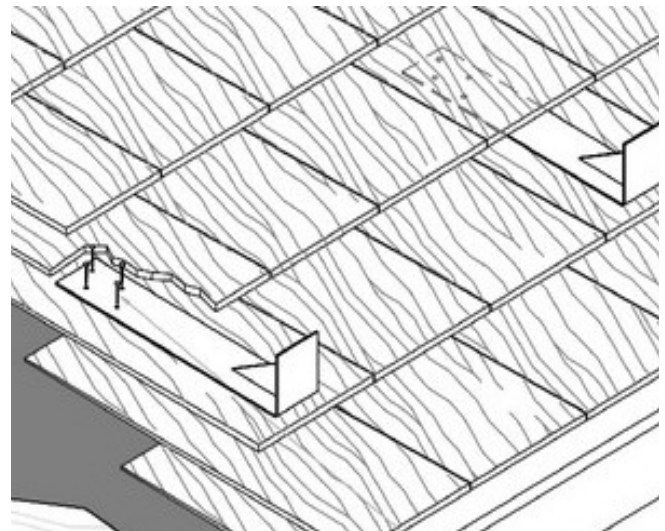
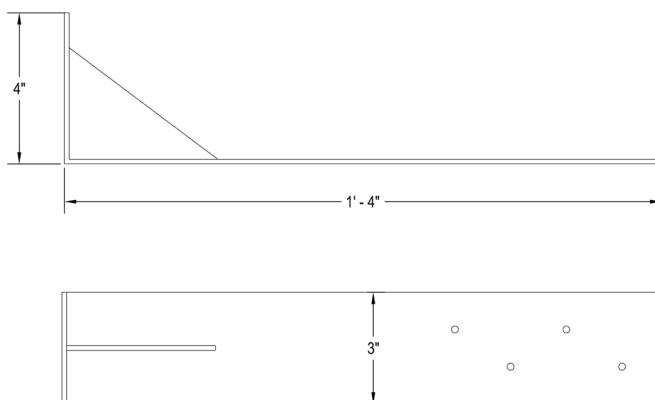
- Zinc Plated
- Powder coating available in many colors visit <http://trasnowandsun.com/color-chart/> to see color chart

NOTE: Due to specific job conditions, TRA Snow and Sun will only warranty a snow retention system/layout that has been designed by TRA Snow and Sun.



FOR NEW CONSTRUCTION

USED ON: ASPHALT SHINGLES, CEDAR SHINGLES, SLATE, SIMULATED SLATE, AND WOOD SHAKES



INSTALLATION
DO NOT SCALE

SNOW RETENTION SYSTEMS

DIMENSIONS *Dimensions shown are in inches.
DO NOT SCALE