



## SNOW BRACKET™ MADERA - CLASSIC

### DESCRIPTION

- Designed for use with Boral's Madera Tile
- No fasteners required
- Can be powder coated to match roofing material color
- Overall dimensions: 13 1/2"L X 1 3/16"W X 3" H

### MATERIALS

- Paintlok Steel: 16 ga
- Copper: 48 oz (ASTM B152)
- Stainless Steel: 16 ga (ASTM A240)

### COLORS/FINISHES

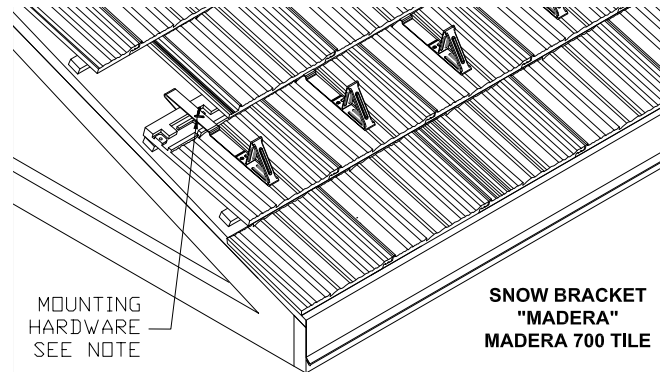
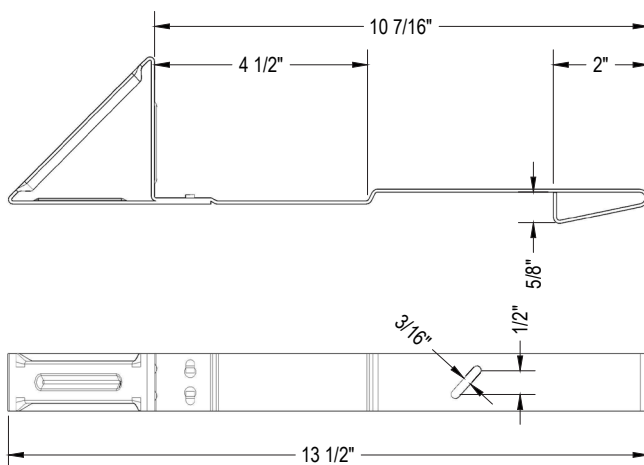
- Zinc Plated
- Powder coating available in many colors visit <http://trasnowandsun.com/color-chart/> to see color chart

**NOTE:** Due to specific job conditions, TRA Snow and Sun will only warranty a snow retention system/layout that has been designed by TRA Snow and Sun.



**FOR NEW CONSTRUCTION OR RETROFIT**

**USED ON: BORAL'S MADERA TILE**



#### INSTALLATION INSTRUCTIONS:

SNOW BRACKET HOOKS TO UPPER END OF ROOF TILE AND COUNTER BATTEN. BRACKET IS INSTALLED WITH TRIANGULAR END OF BRACKET AT LOW END OF ROOF TILE AND UPPER END UNDER THE COURSE ABOVE.

#### NOTE:

IF BRACKET IS COPPER, THEN STAINLESS STEEL SCREWS MUST BE USED TO MOUNT THE BRACKET; OTHERWISE USE SAME FASTENERS ON THE BRACKET AS USED ON THE ROOF TILE.

**INSTALLATION**  
DO NOT SCALE

**SNOW RETENTION SYSTEMS**

**DIMENSIONS** \*Dimensions shown are in inches.  
DO NOT SCALE